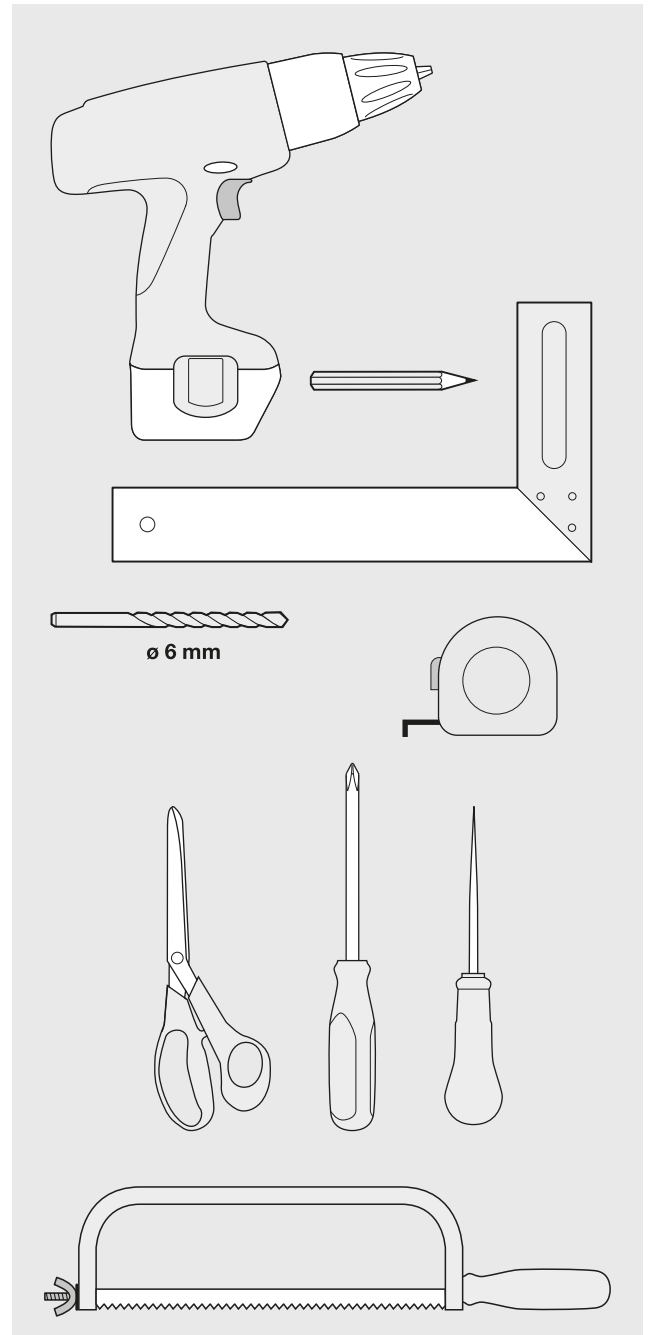
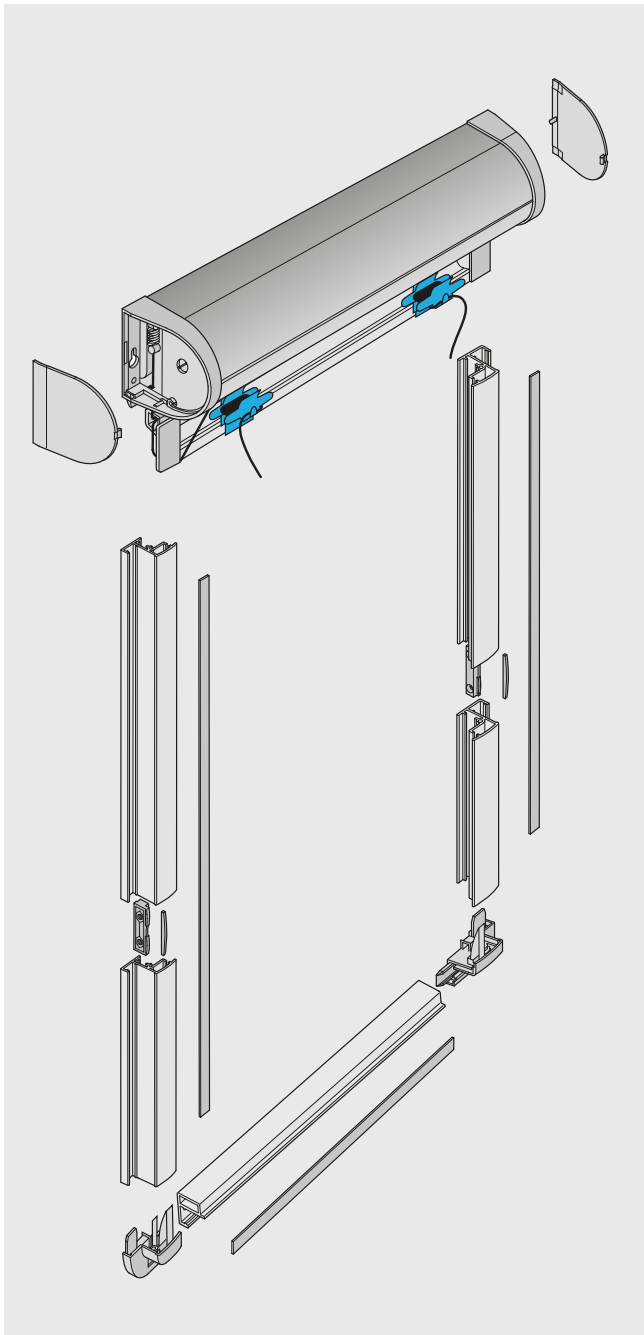
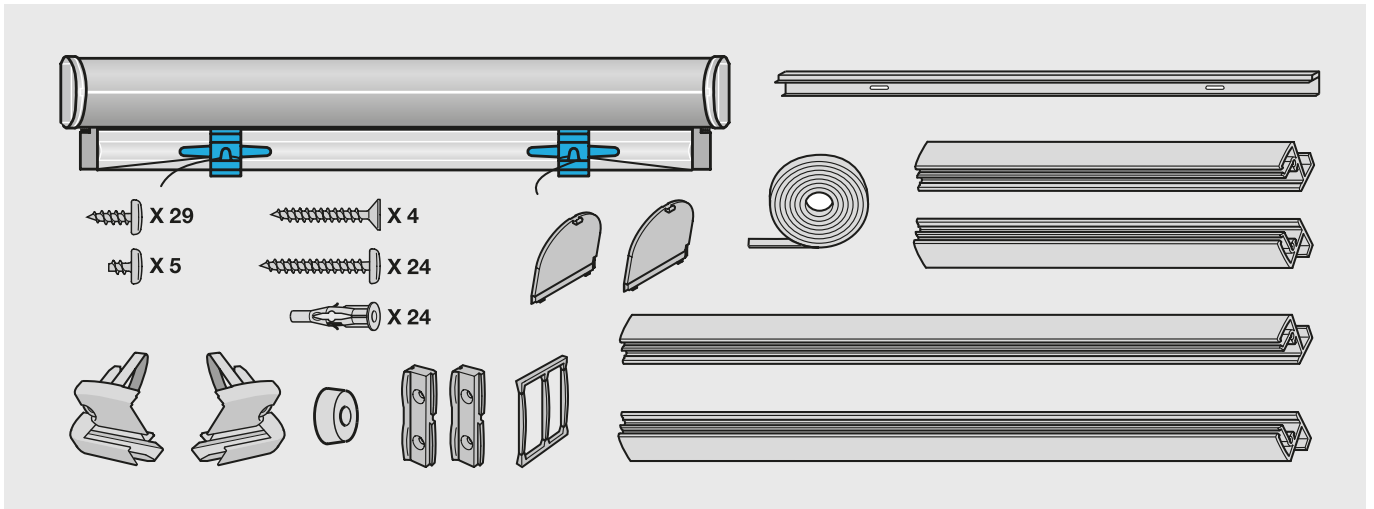
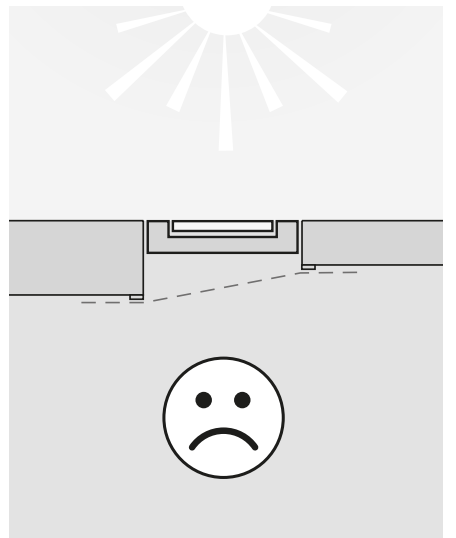
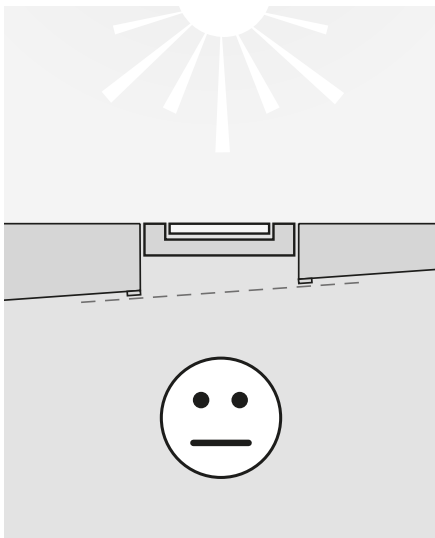
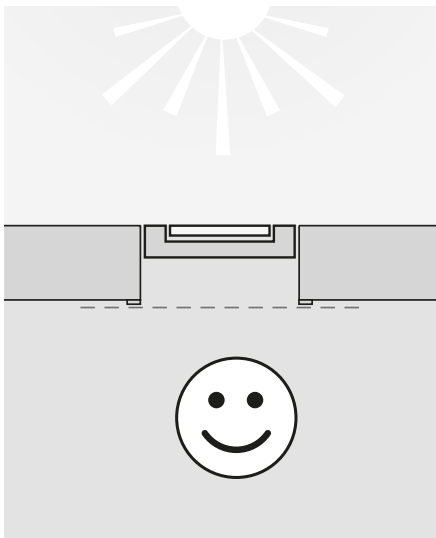
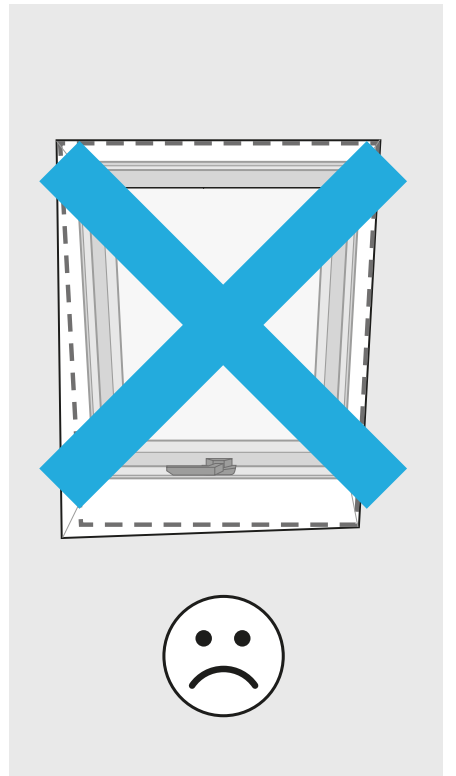
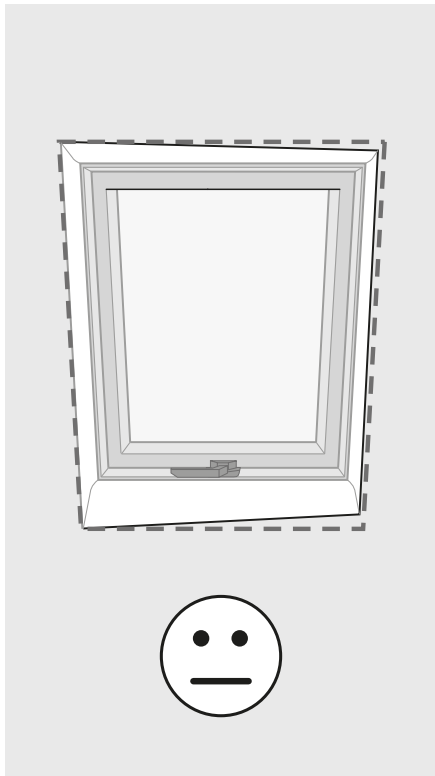
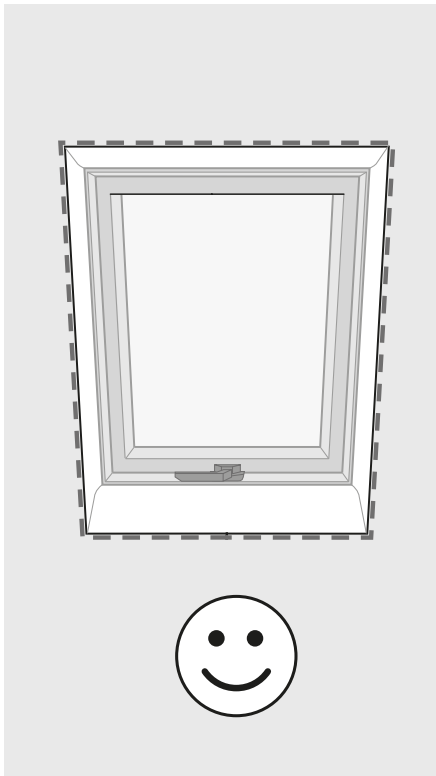
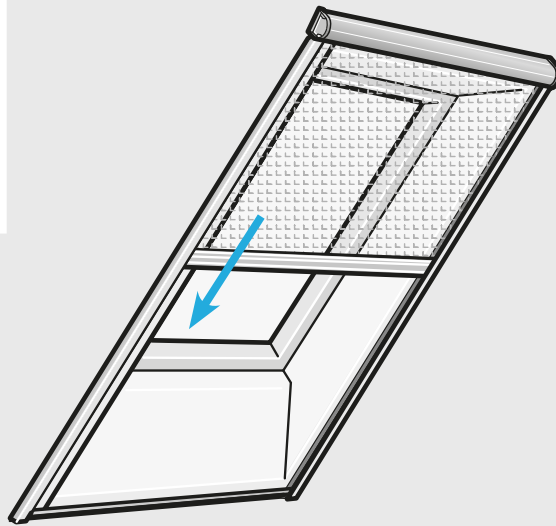
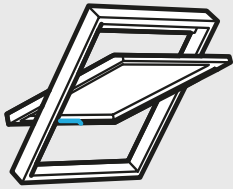


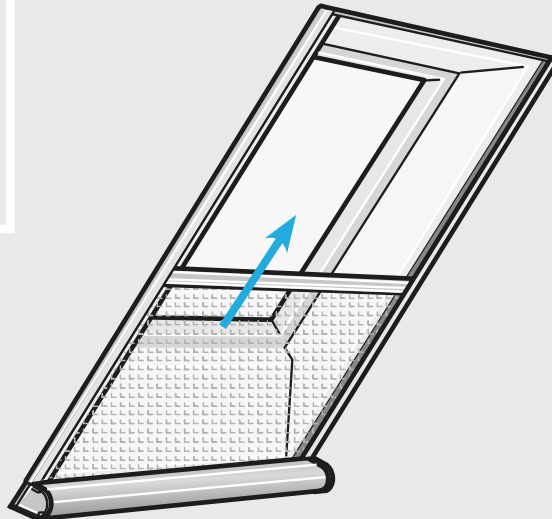
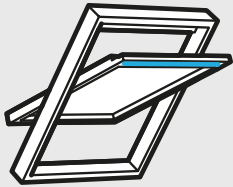
**ZIA**



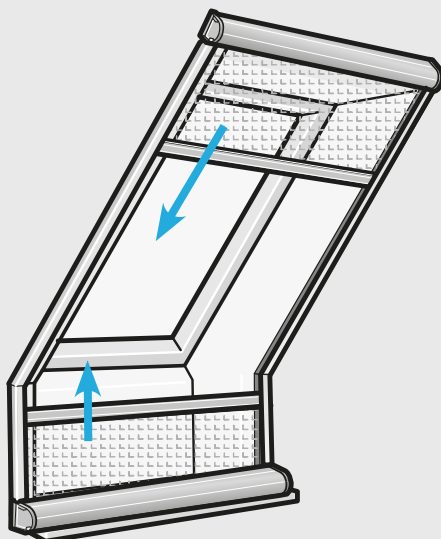




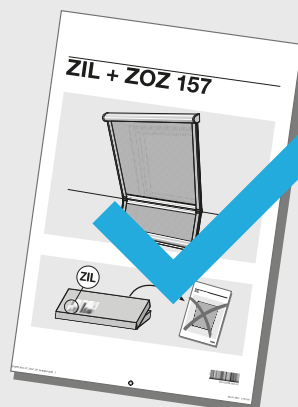
Pages  
5-13



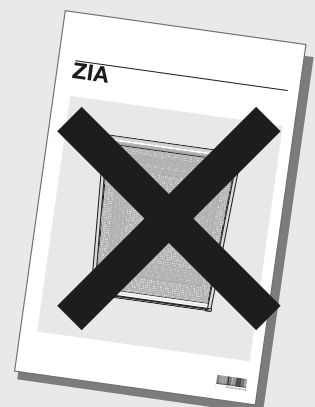
Pages  
14-22



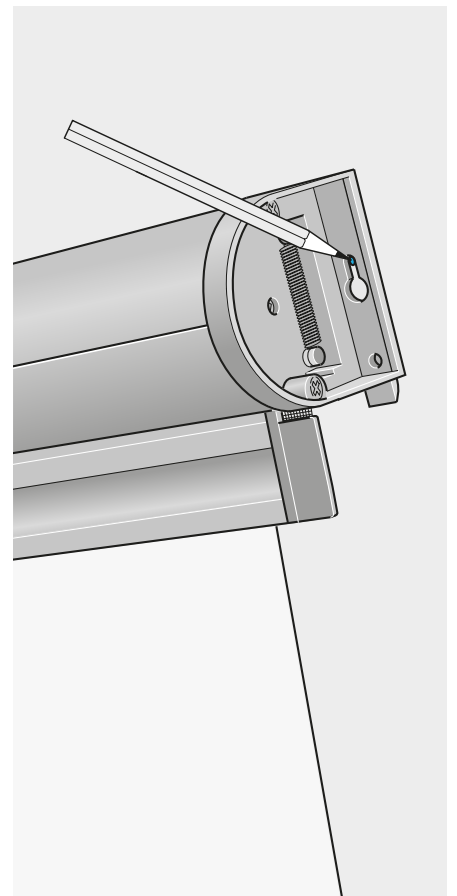
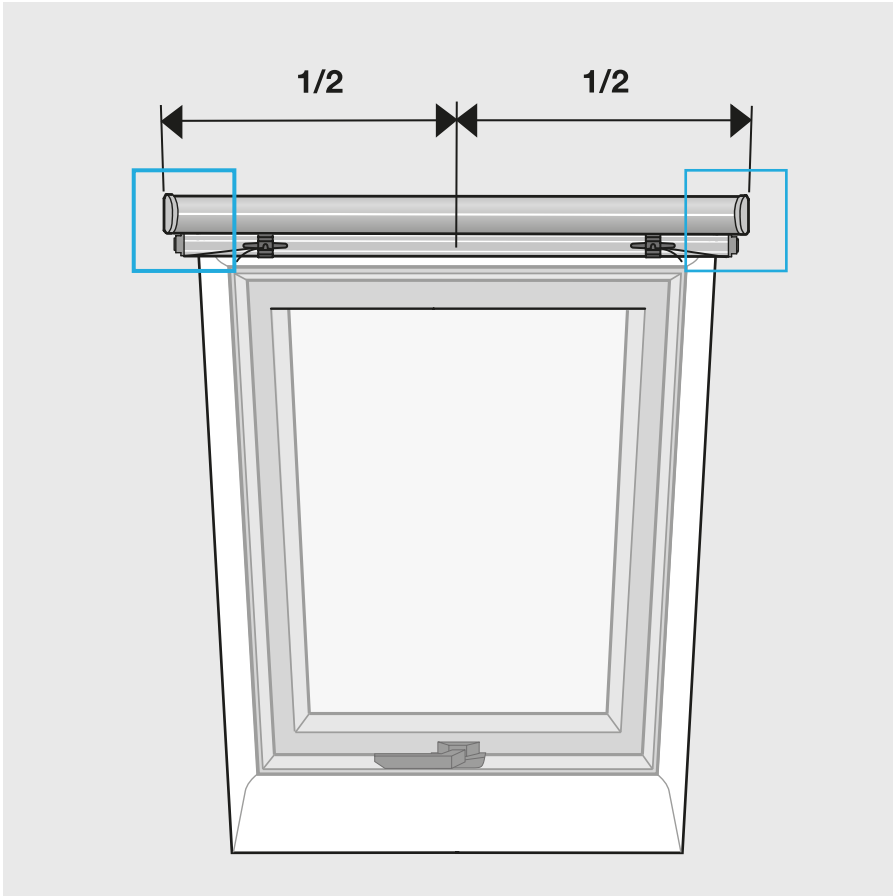
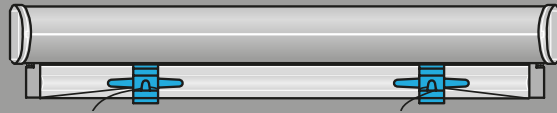
**ZOZ 157**



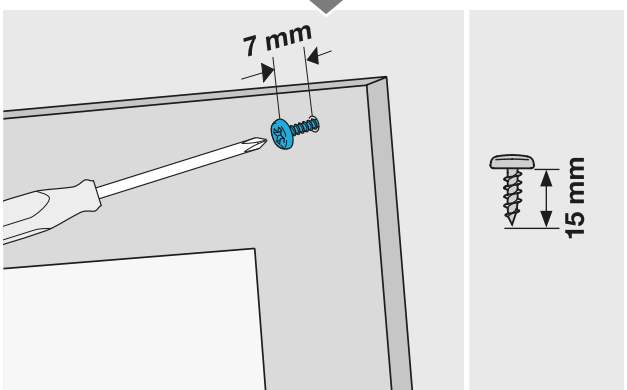
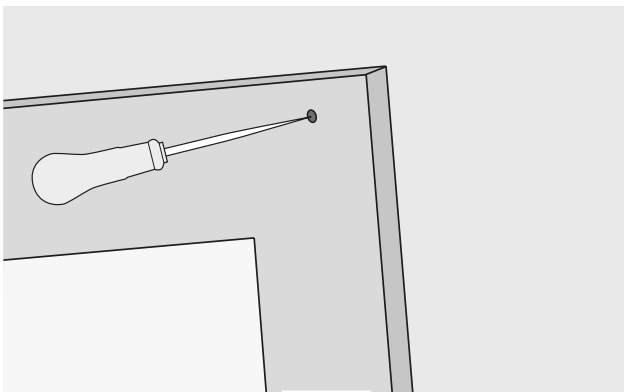
**ZIA**



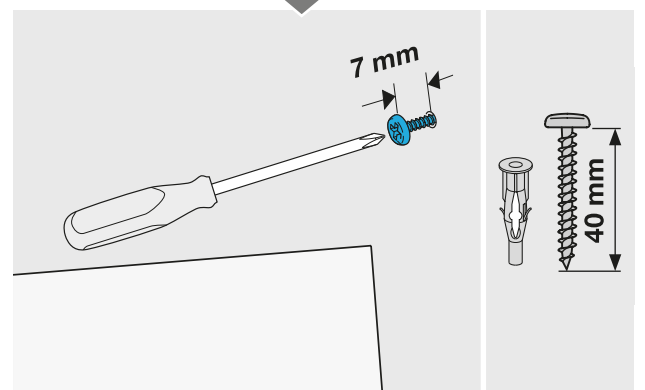
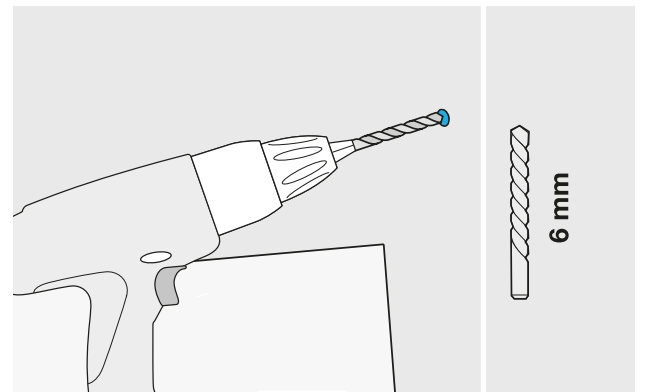
1



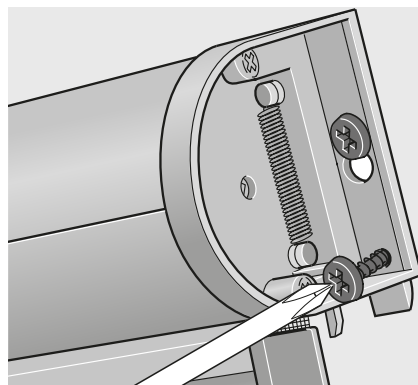
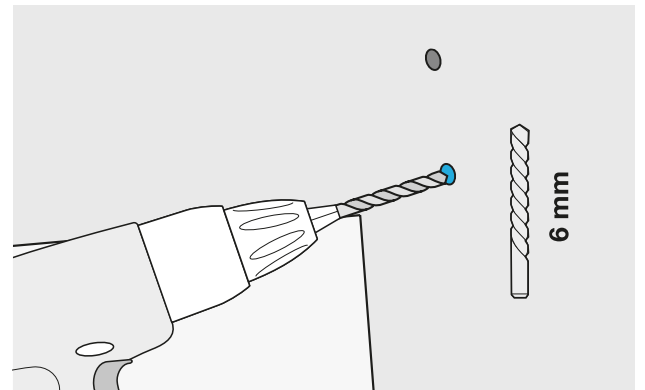
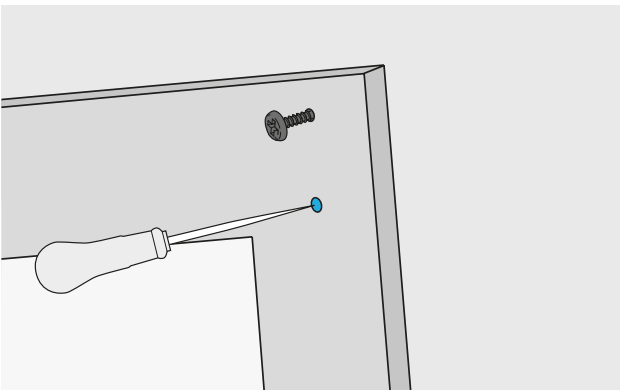
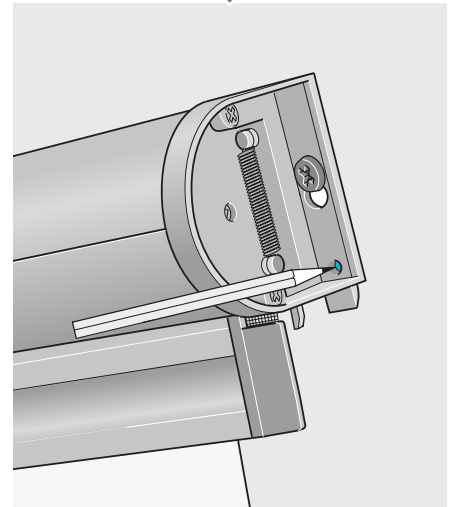
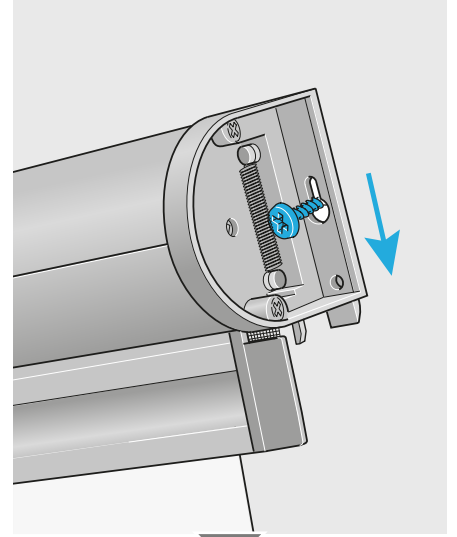
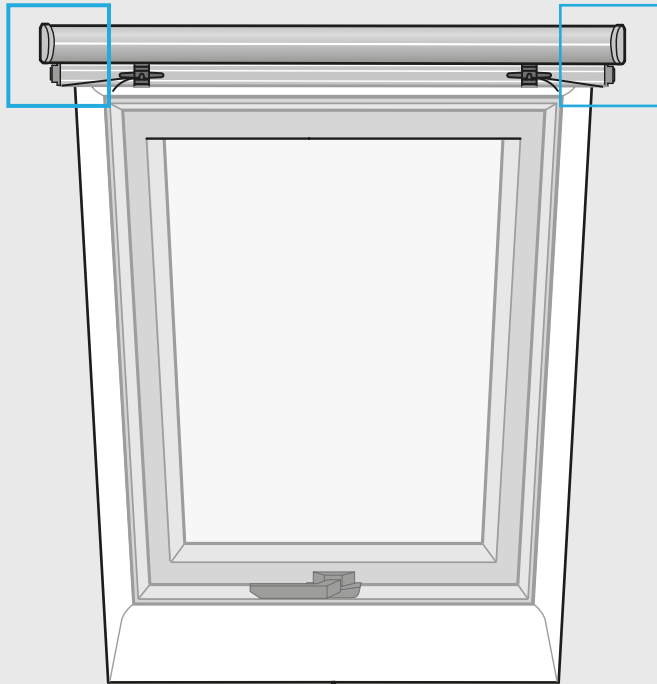
**A**



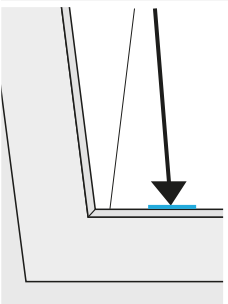
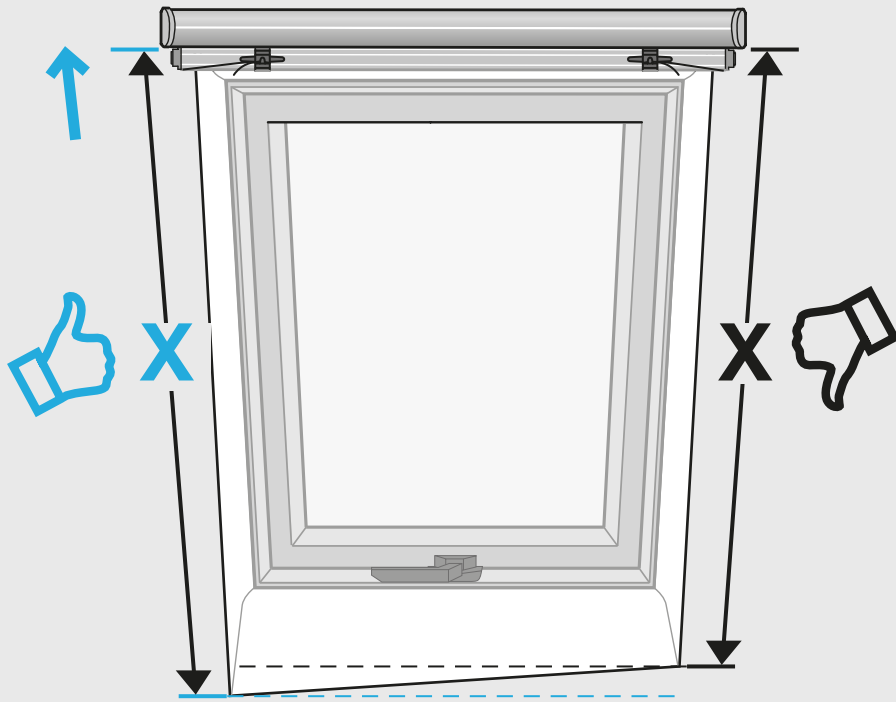
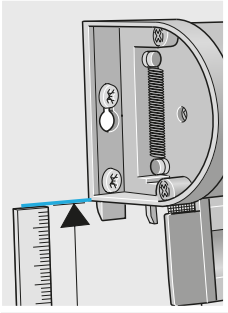
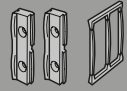
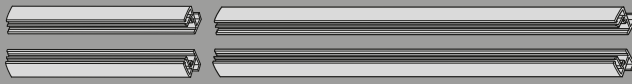
**B**



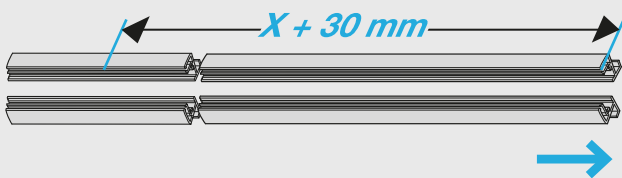
2



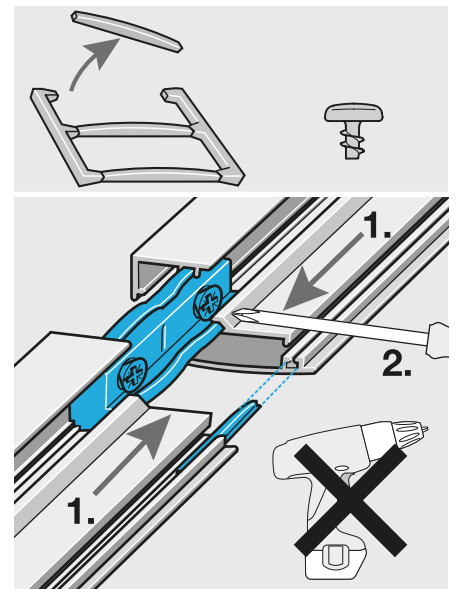
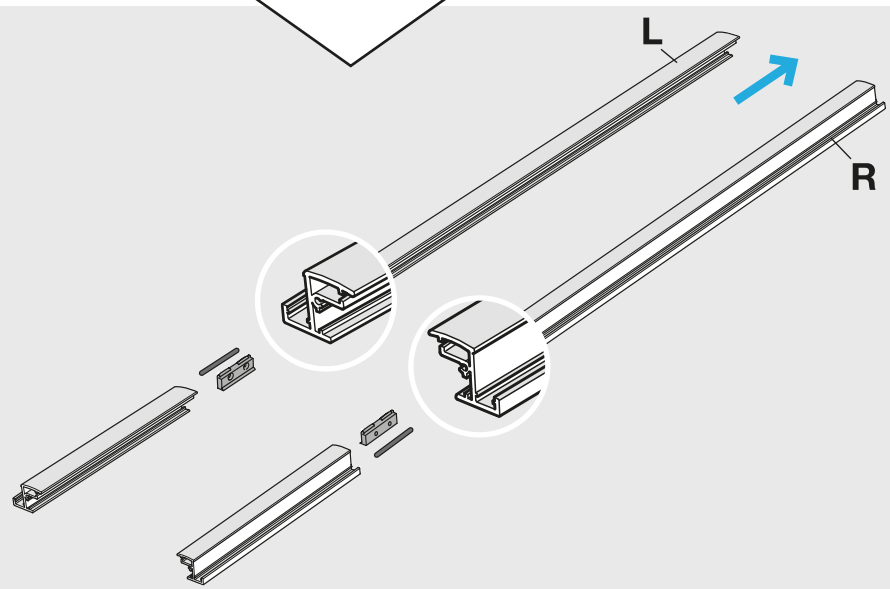
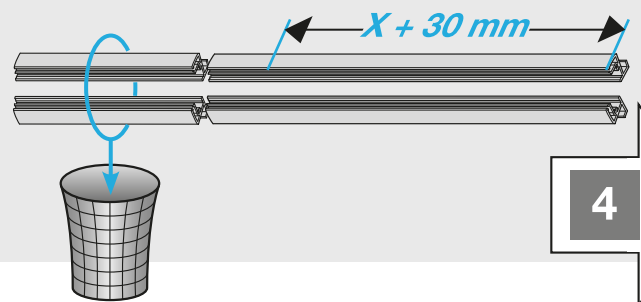
3



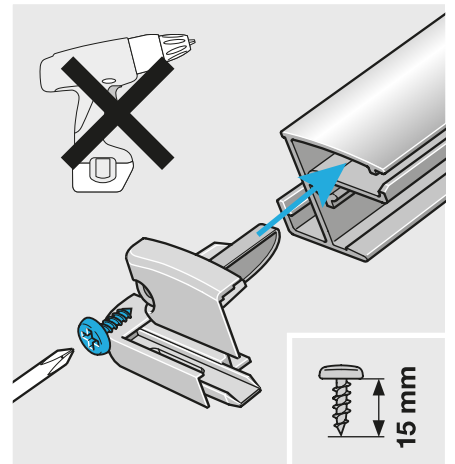
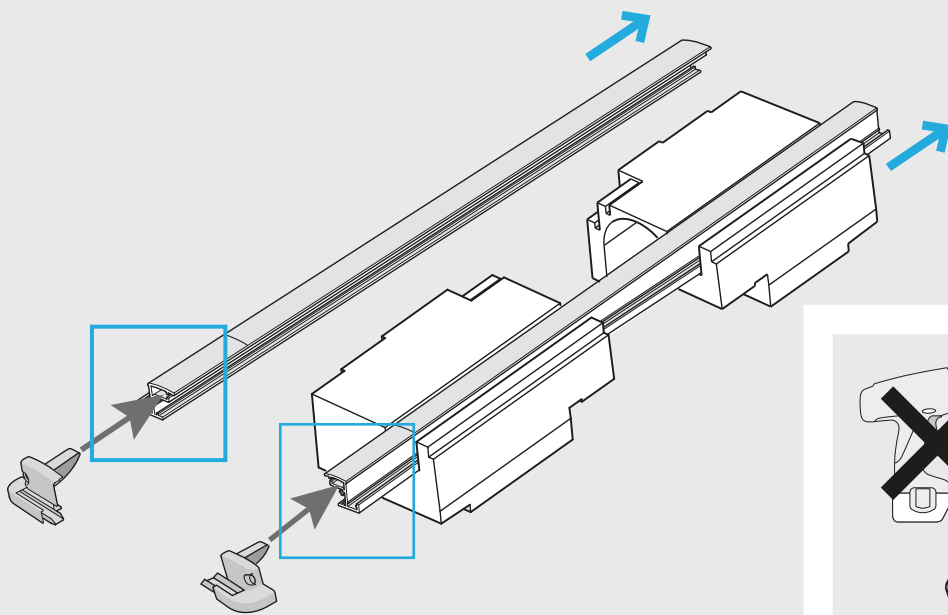
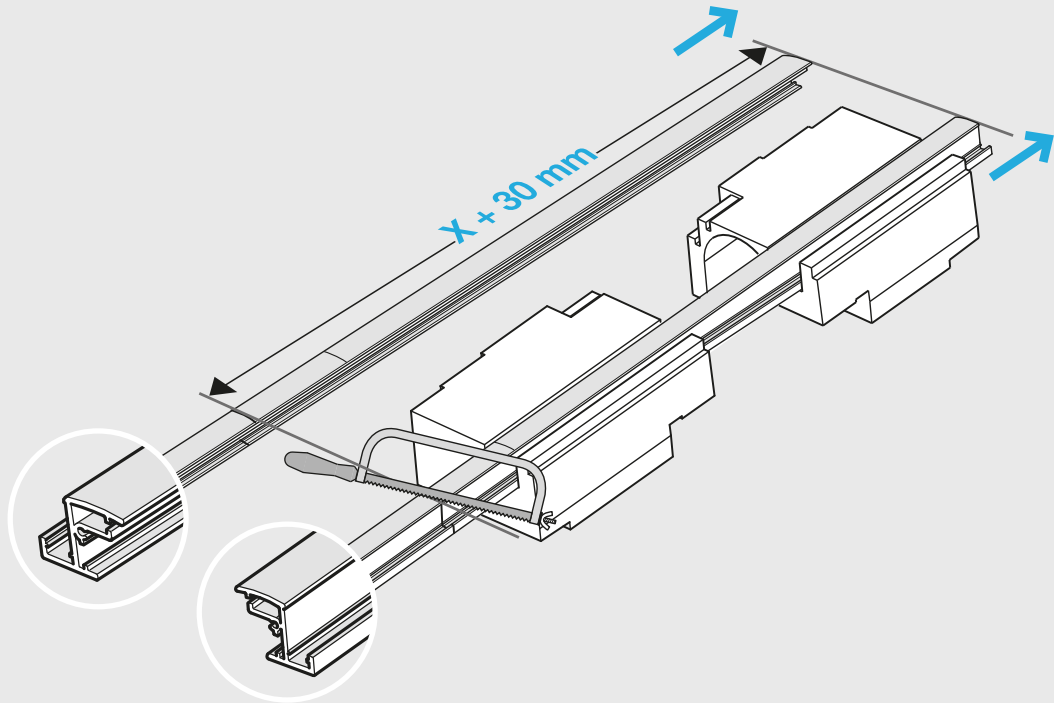
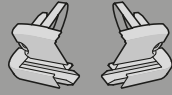
A



B

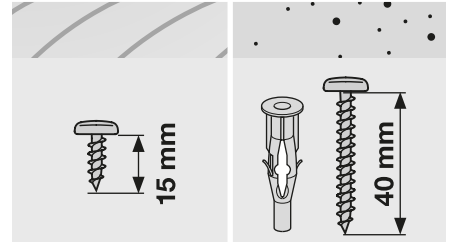
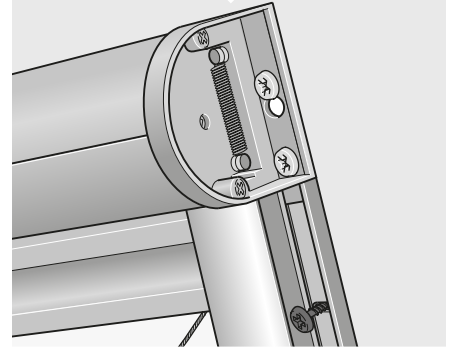
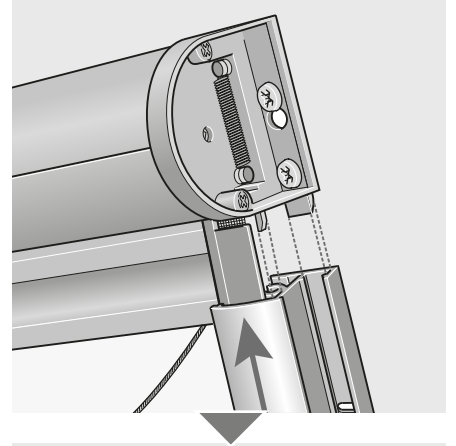
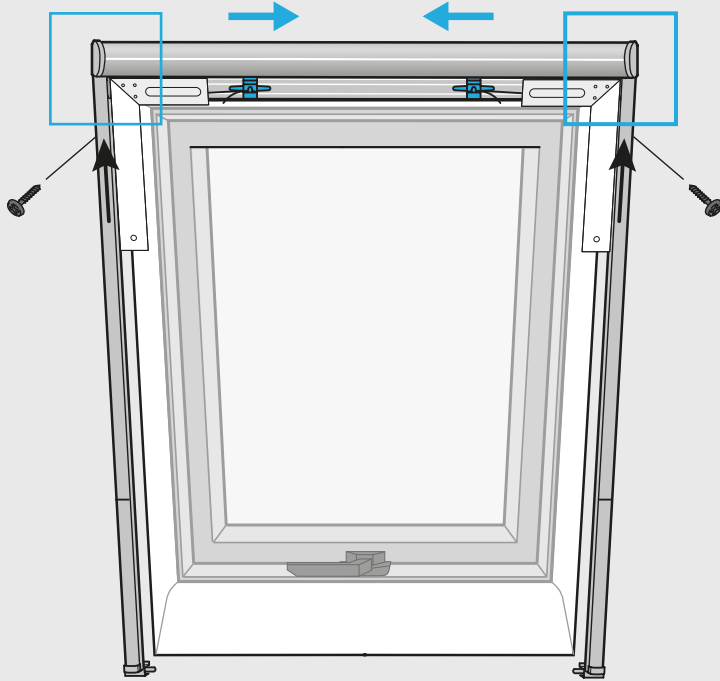


4

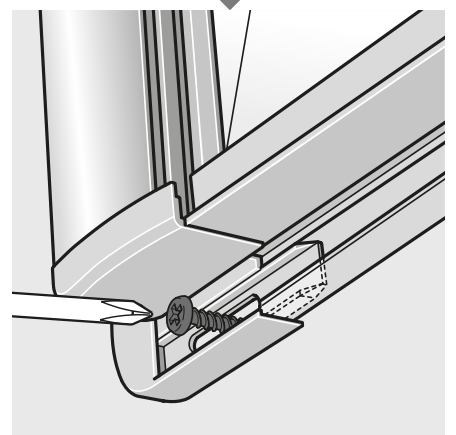
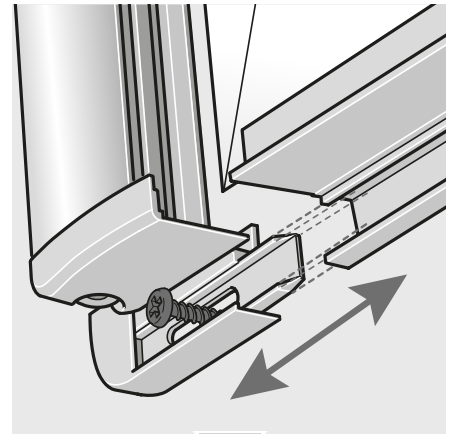
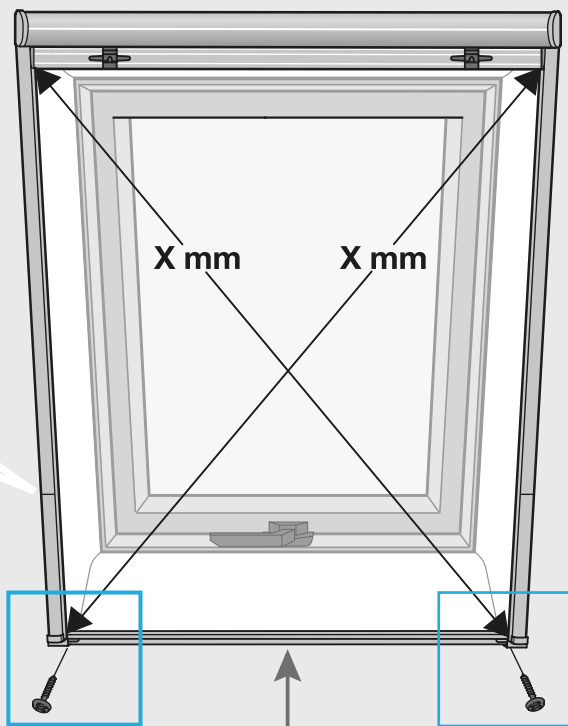
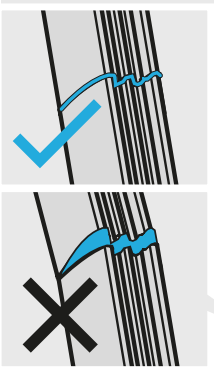




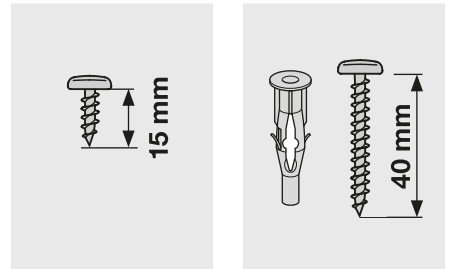
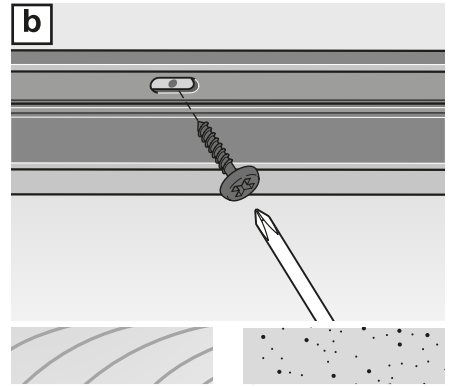
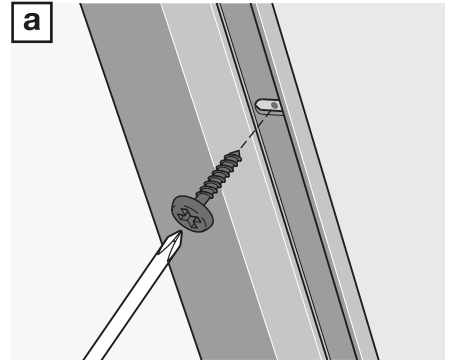
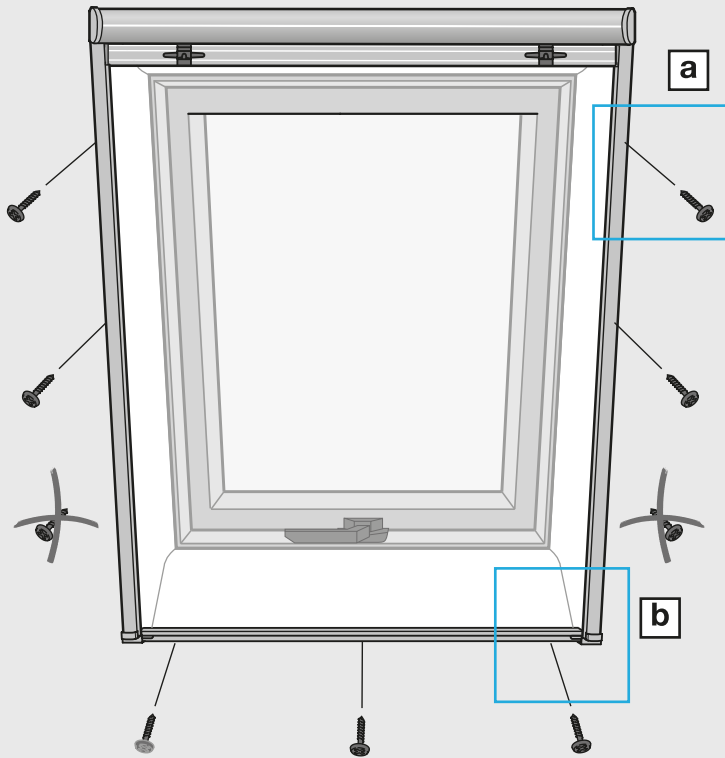
5



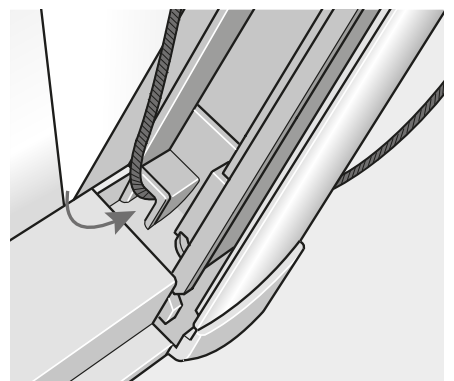
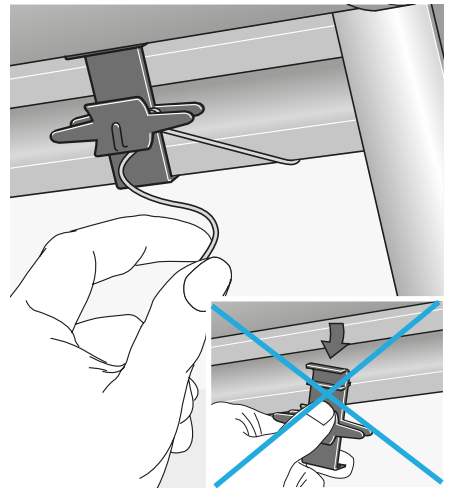
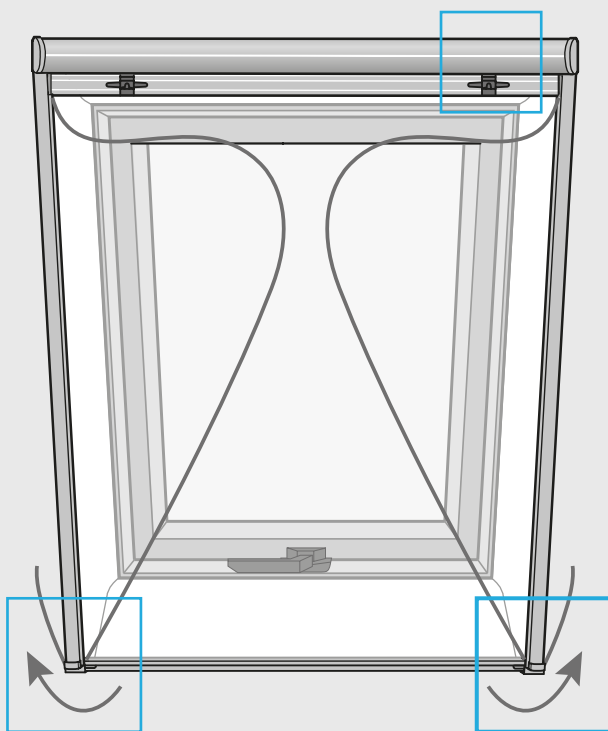
6



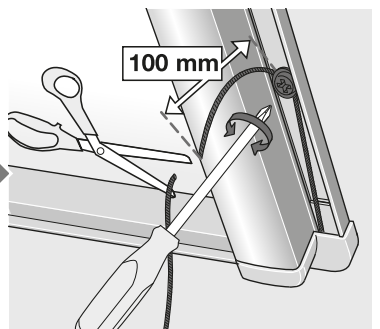
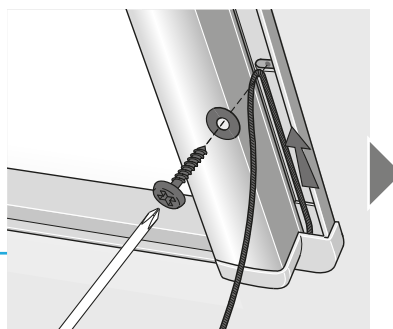
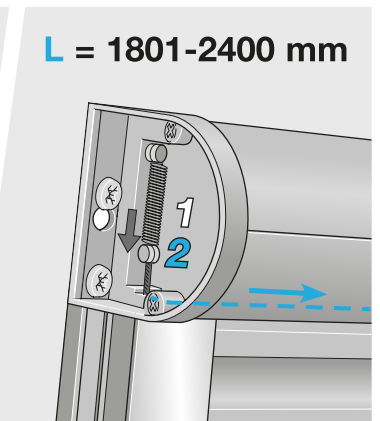
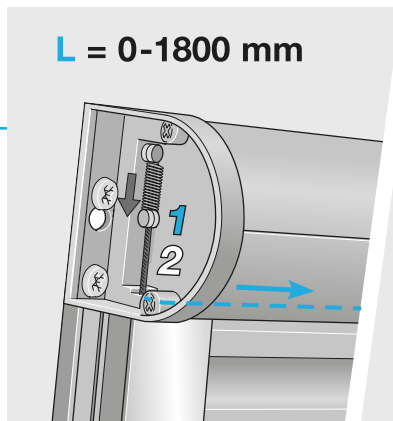
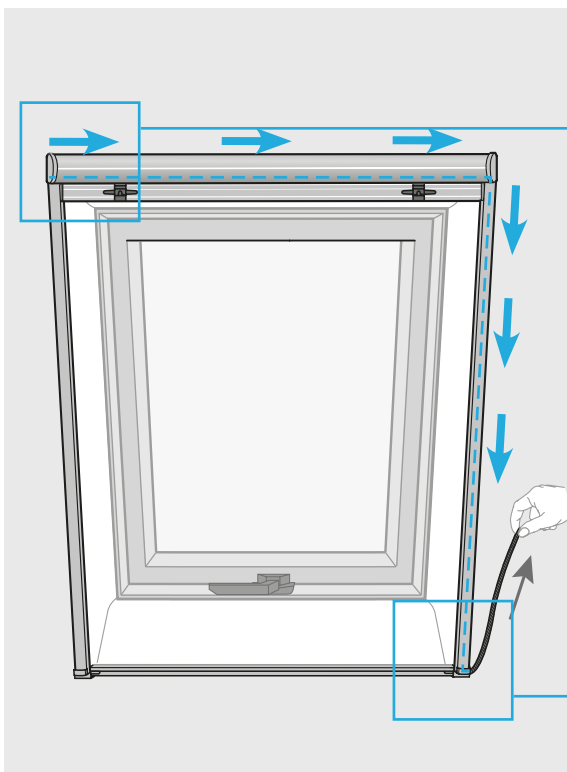
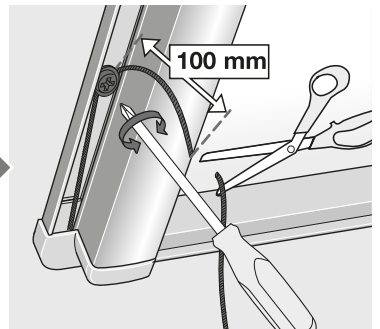
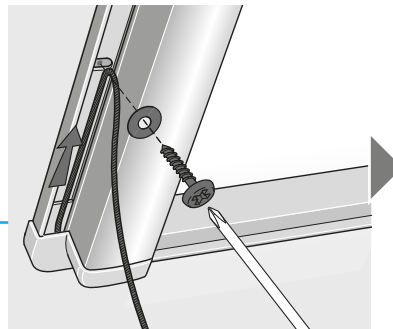
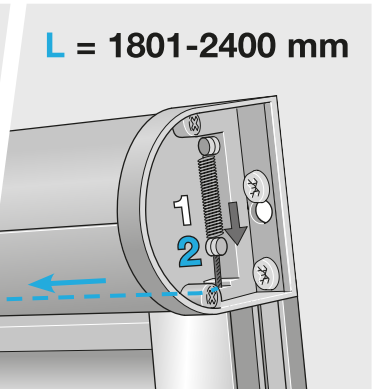
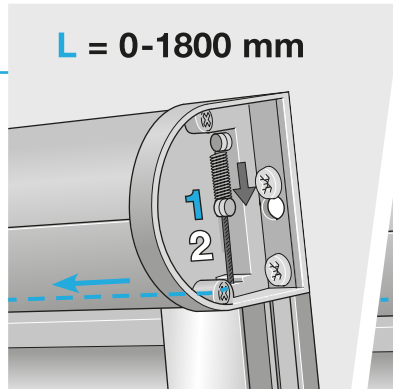
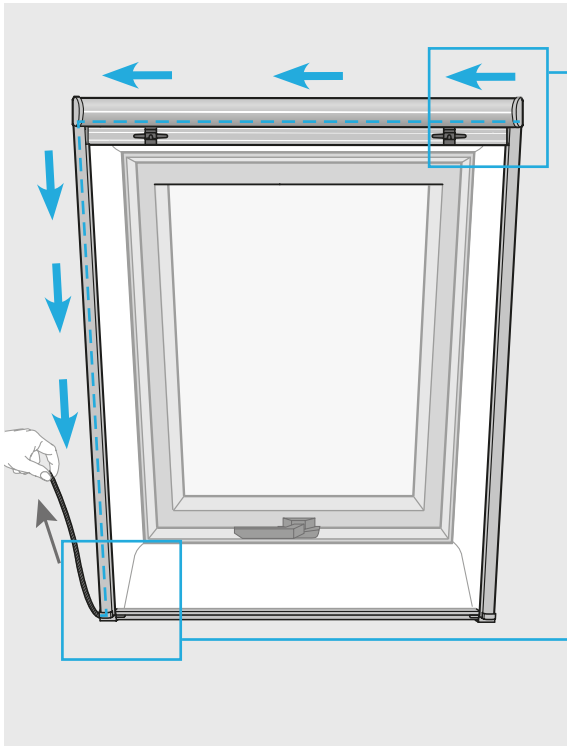
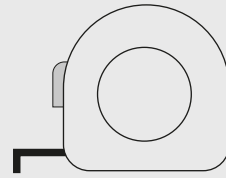
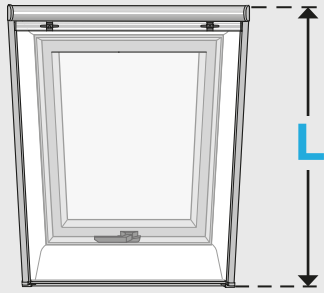
7



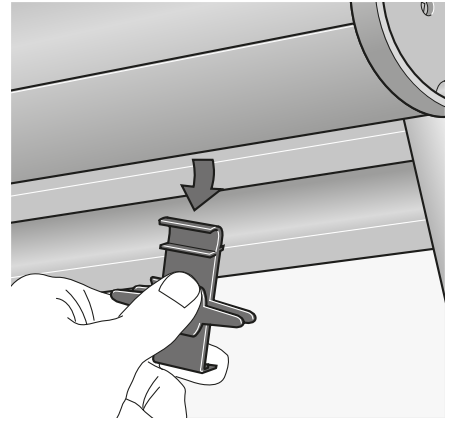
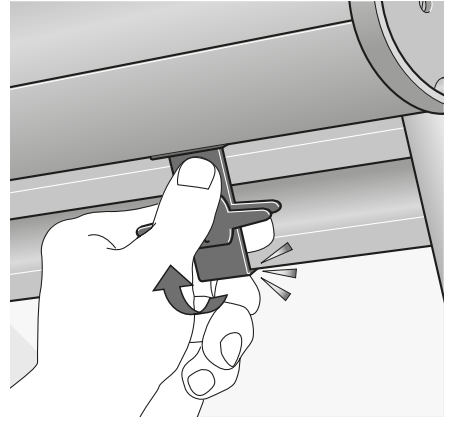
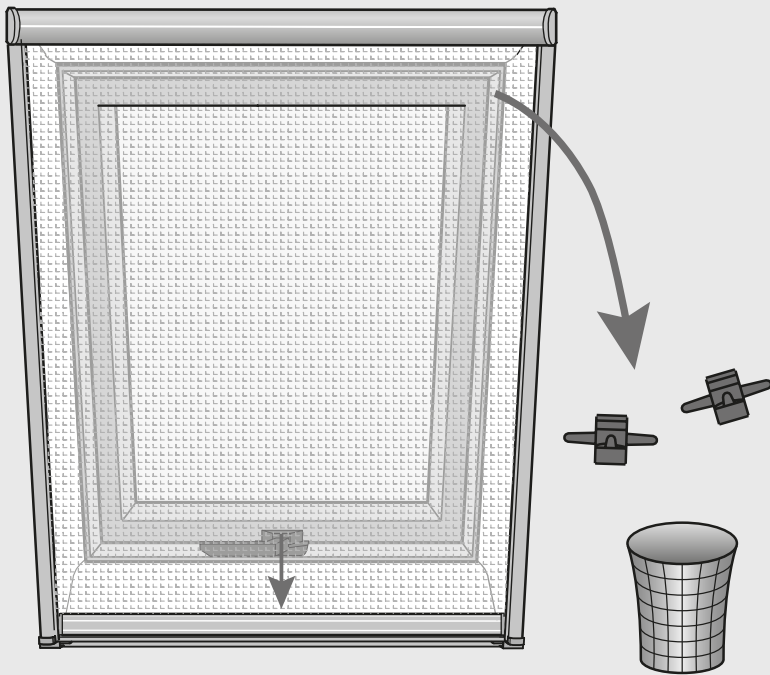
8



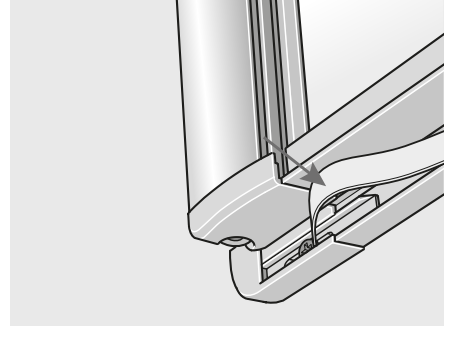
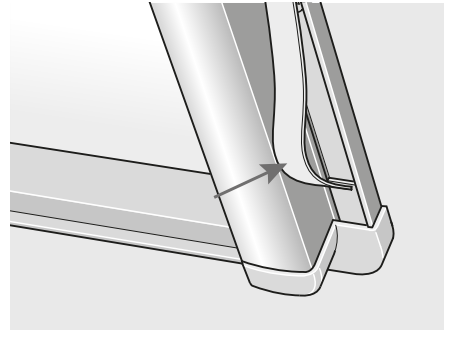
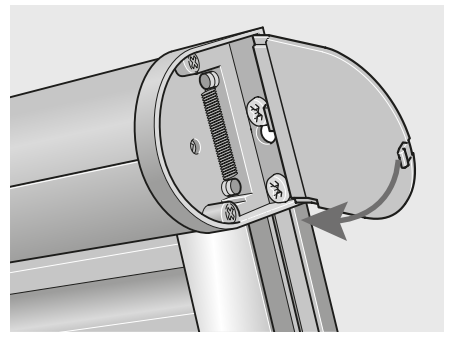
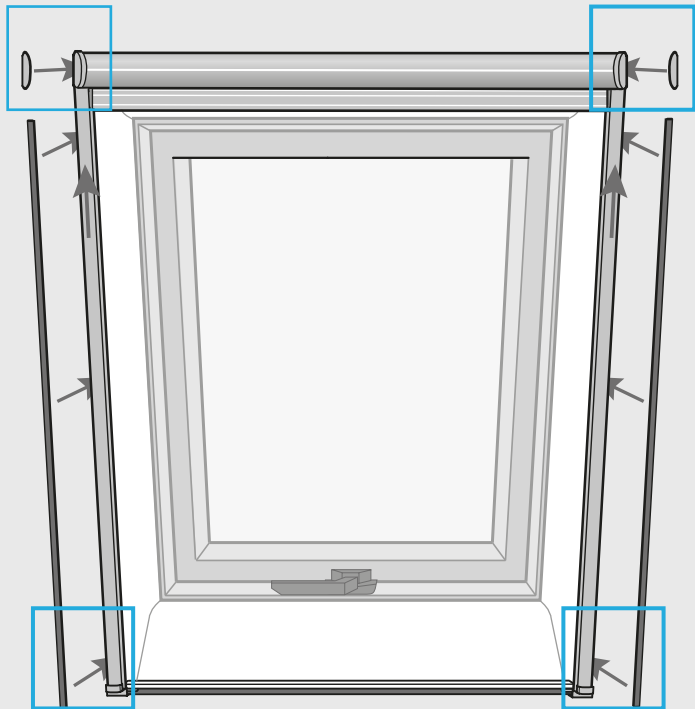
9

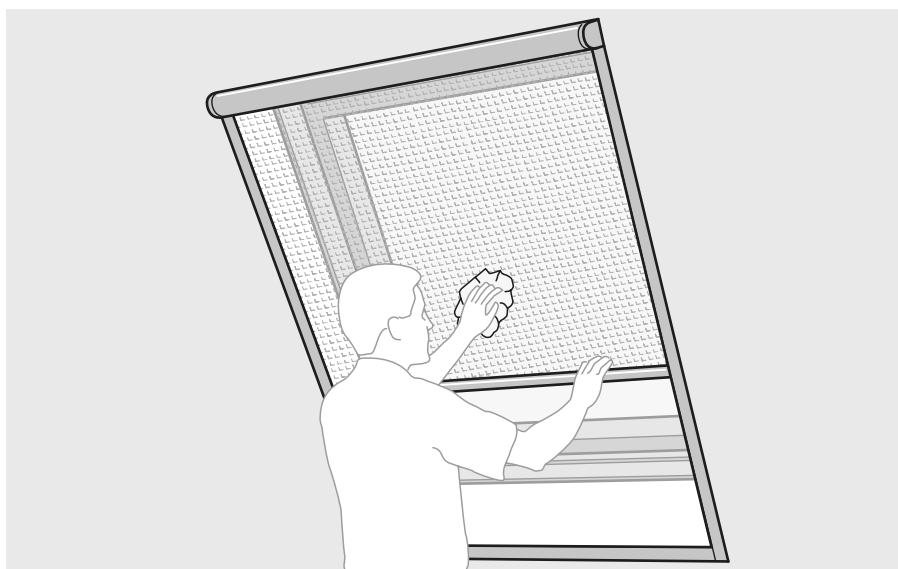
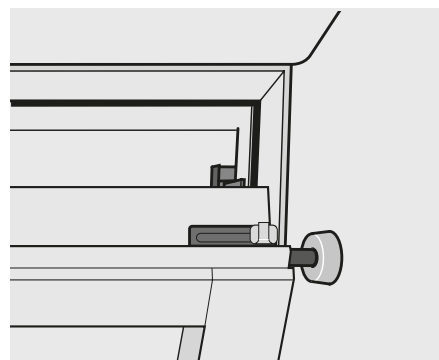
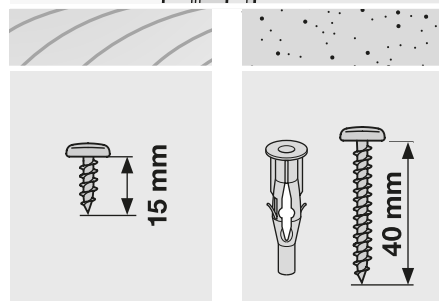
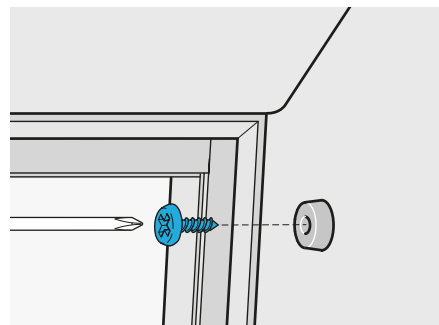
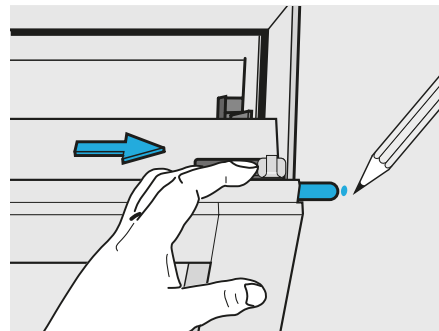
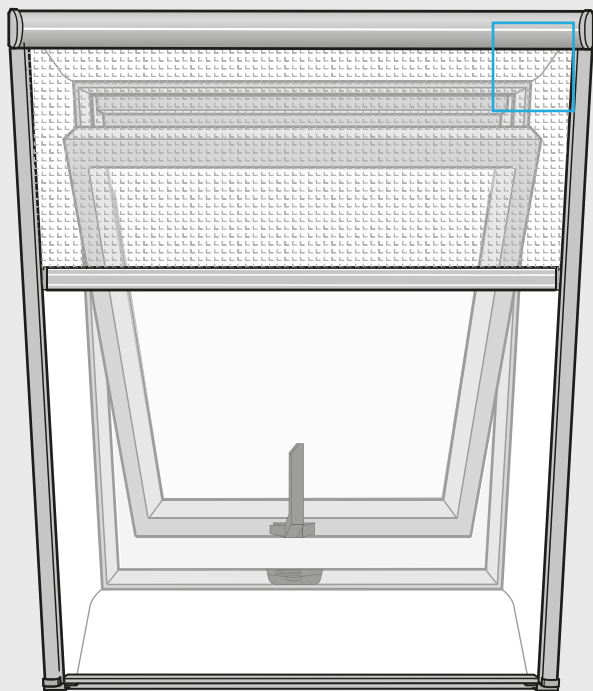


10

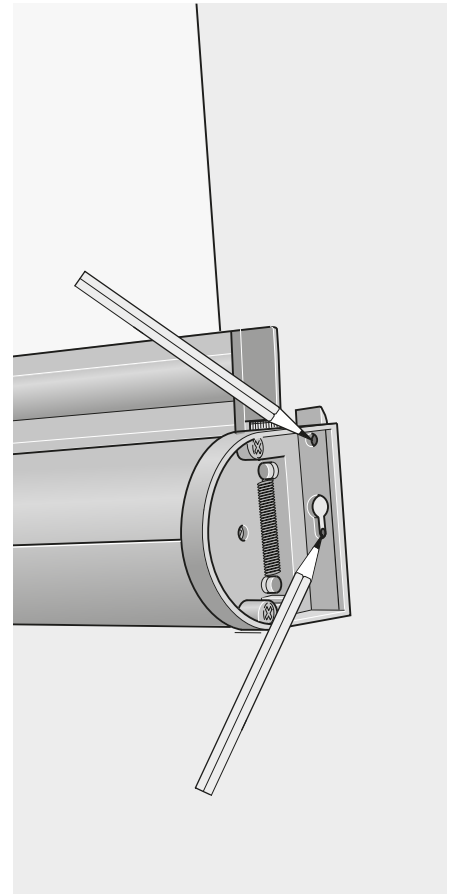
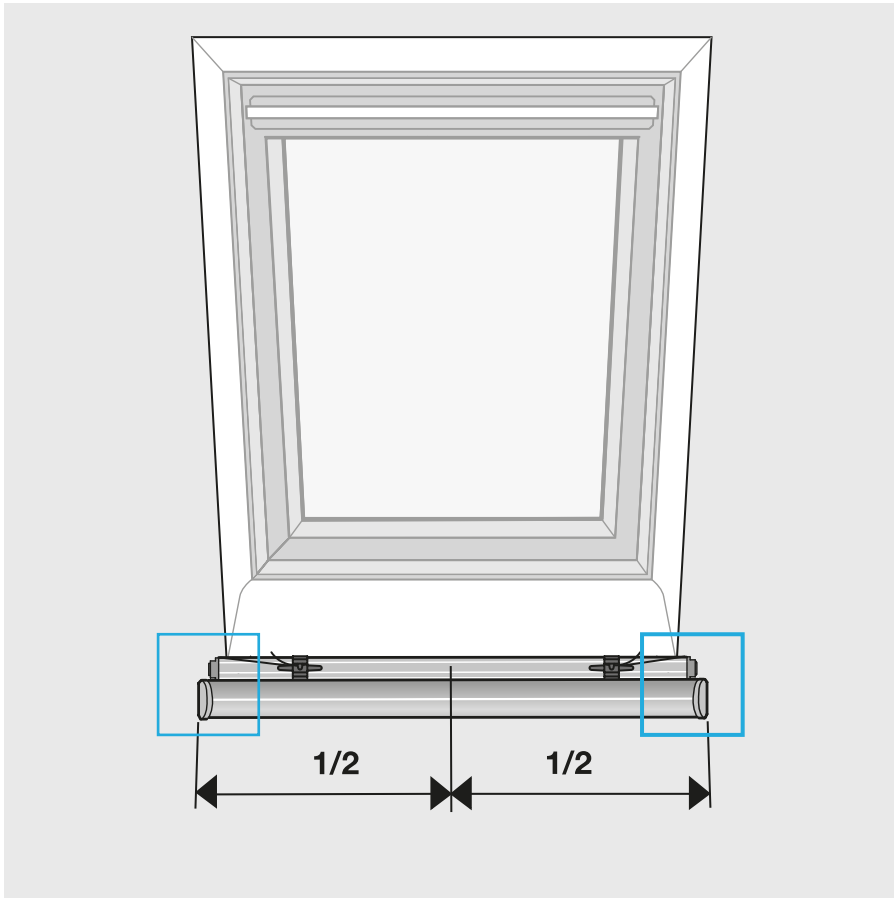
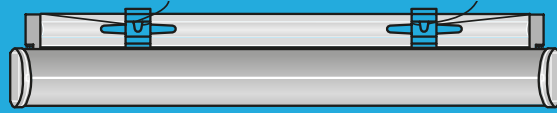


11

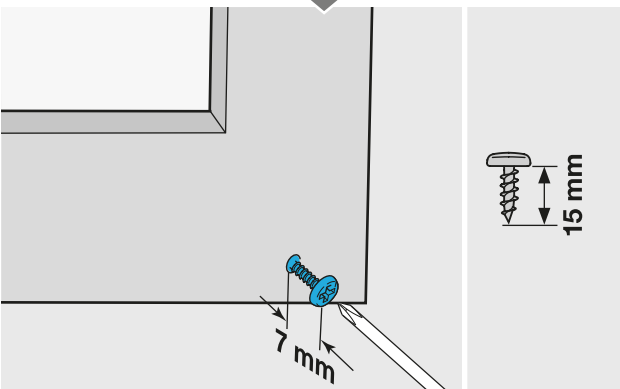
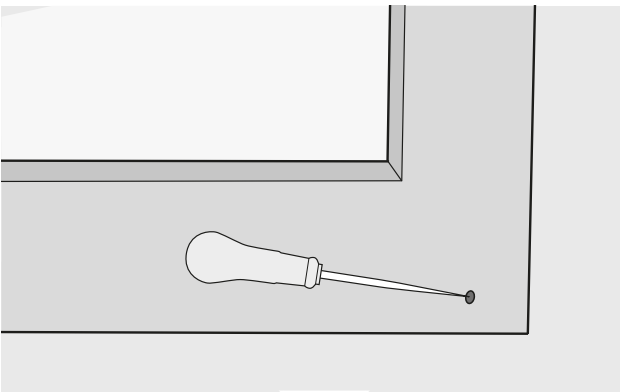




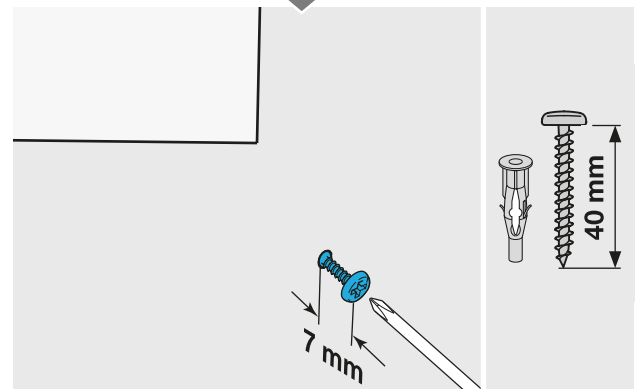
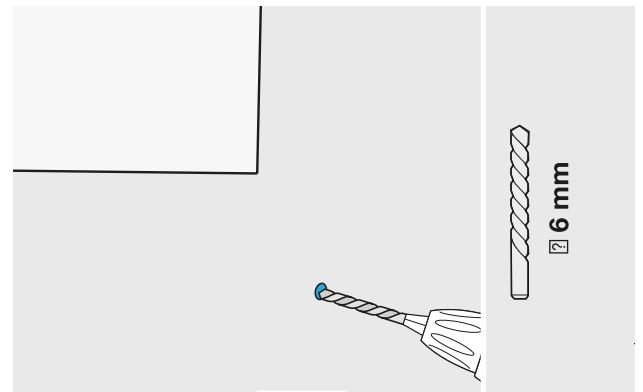
1



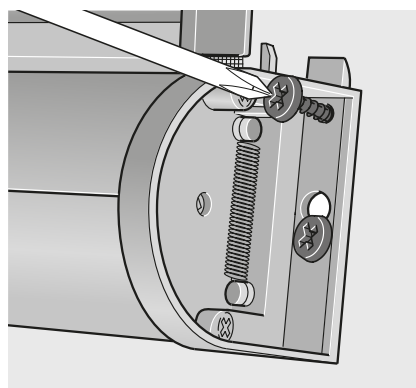
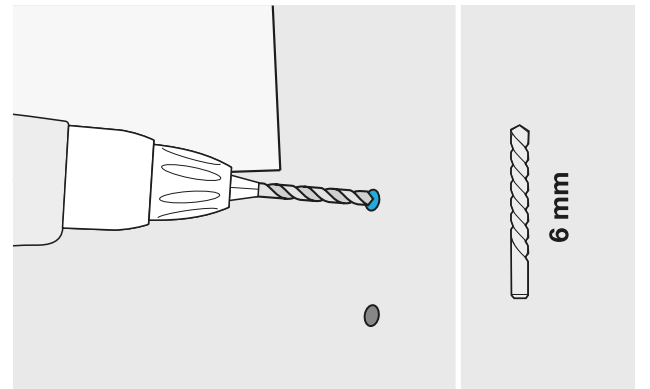
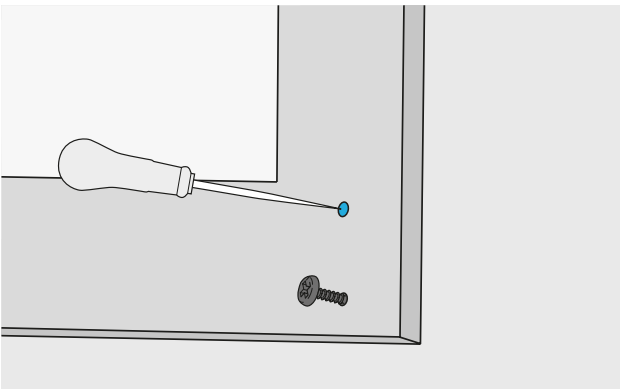
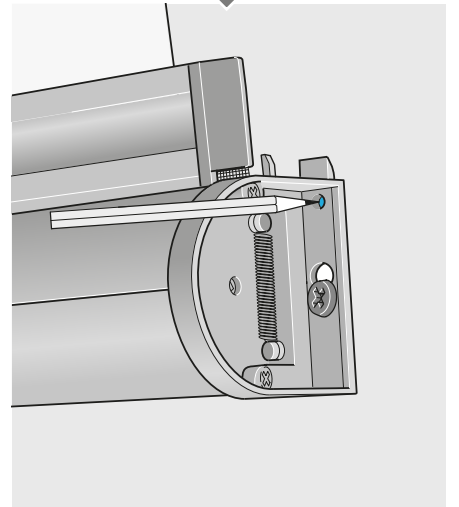
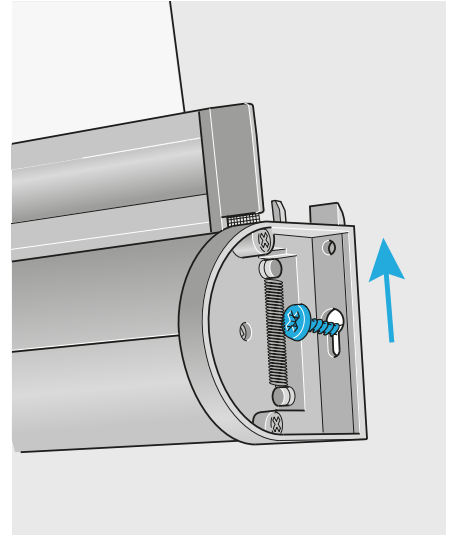
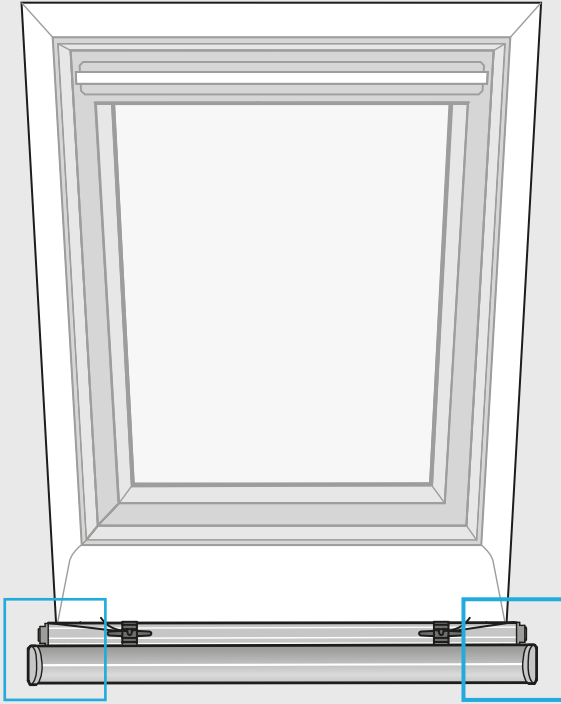
**A**



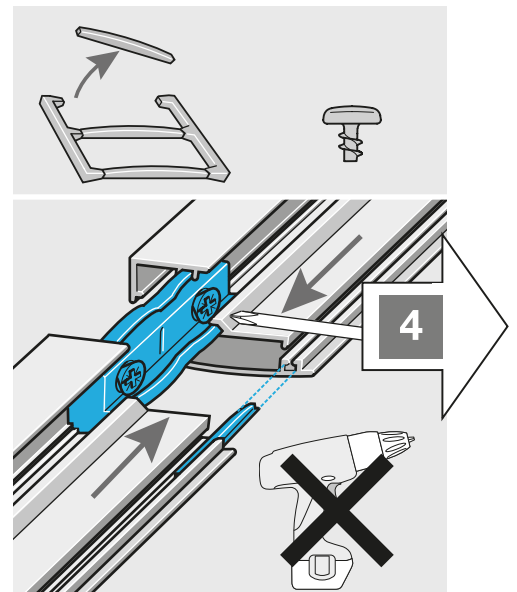
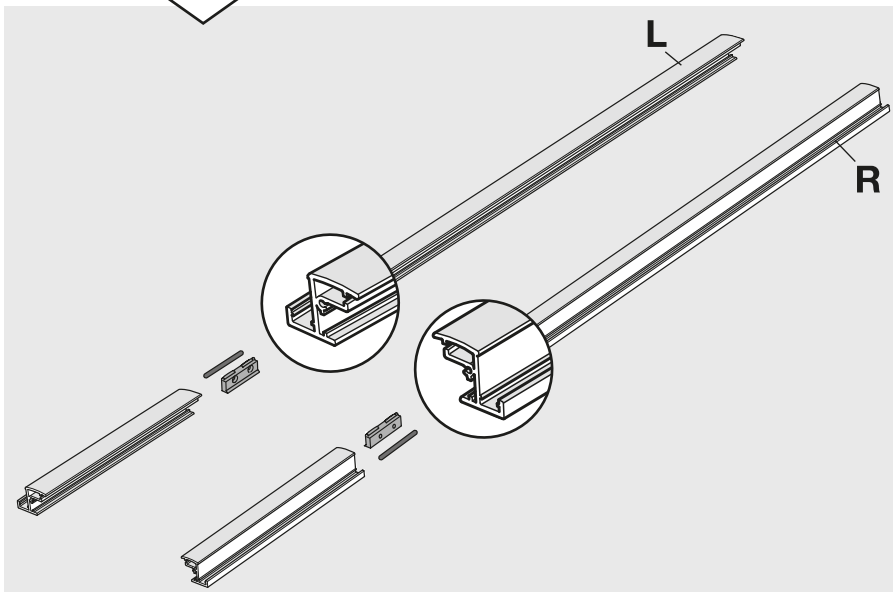
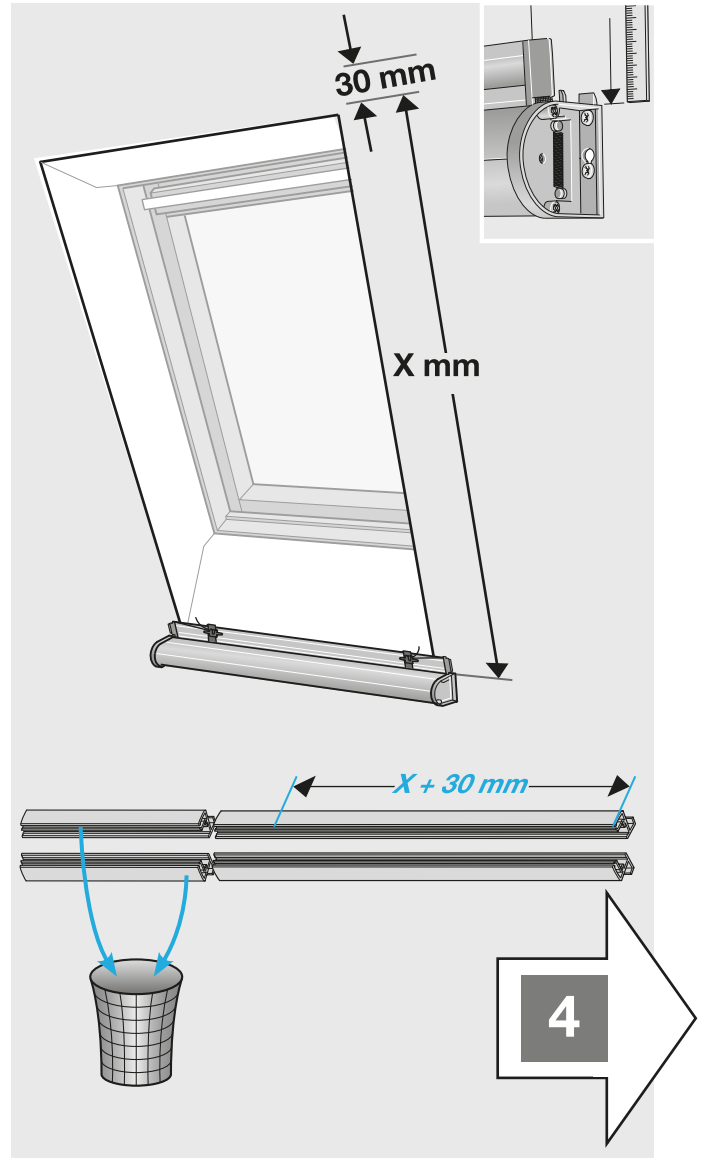
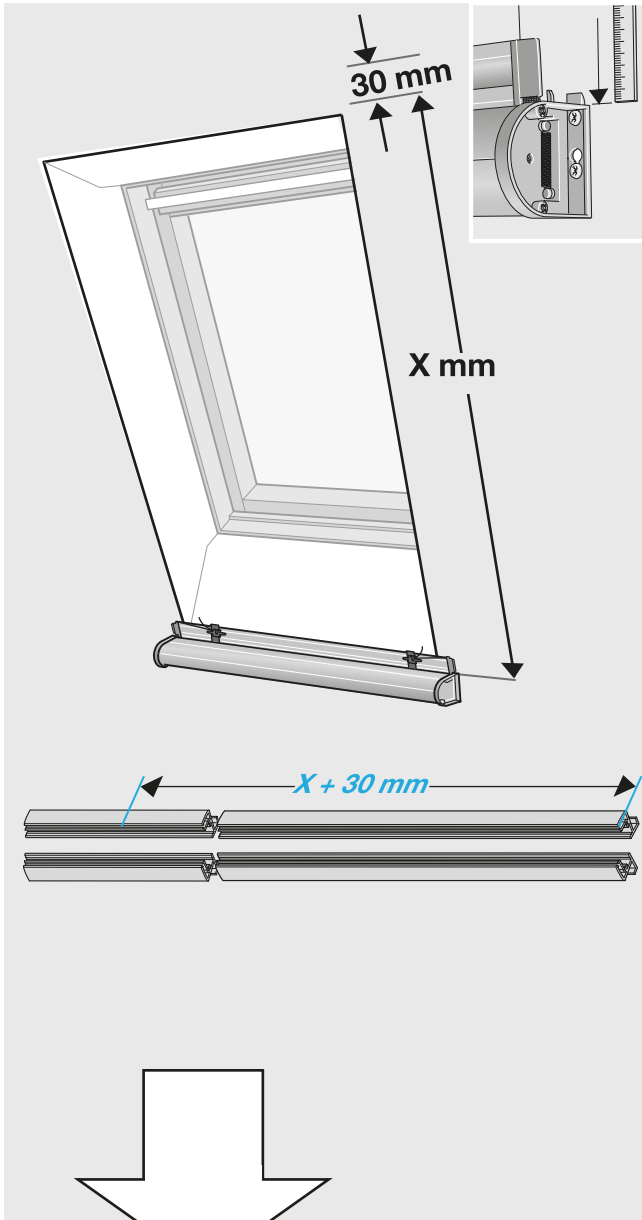
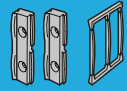
**B**



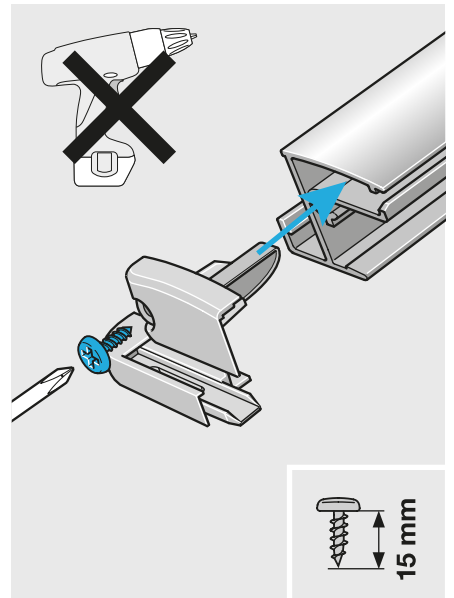
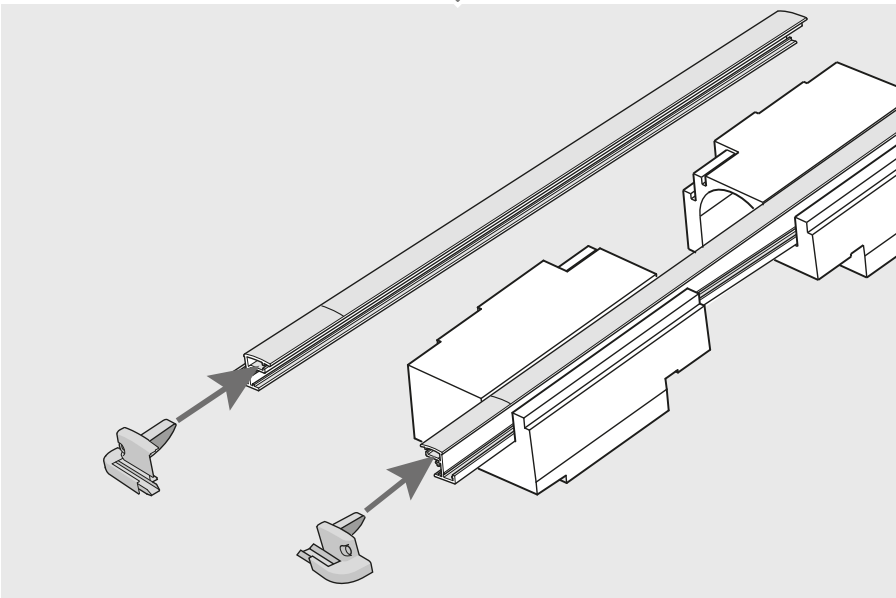
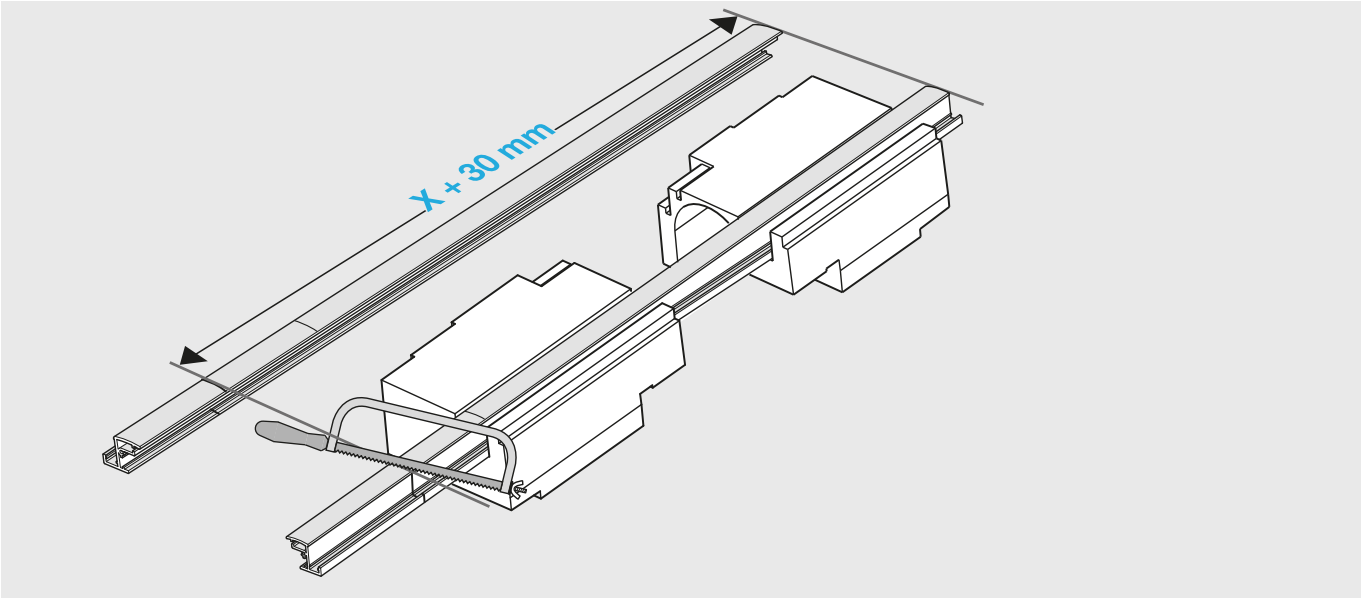
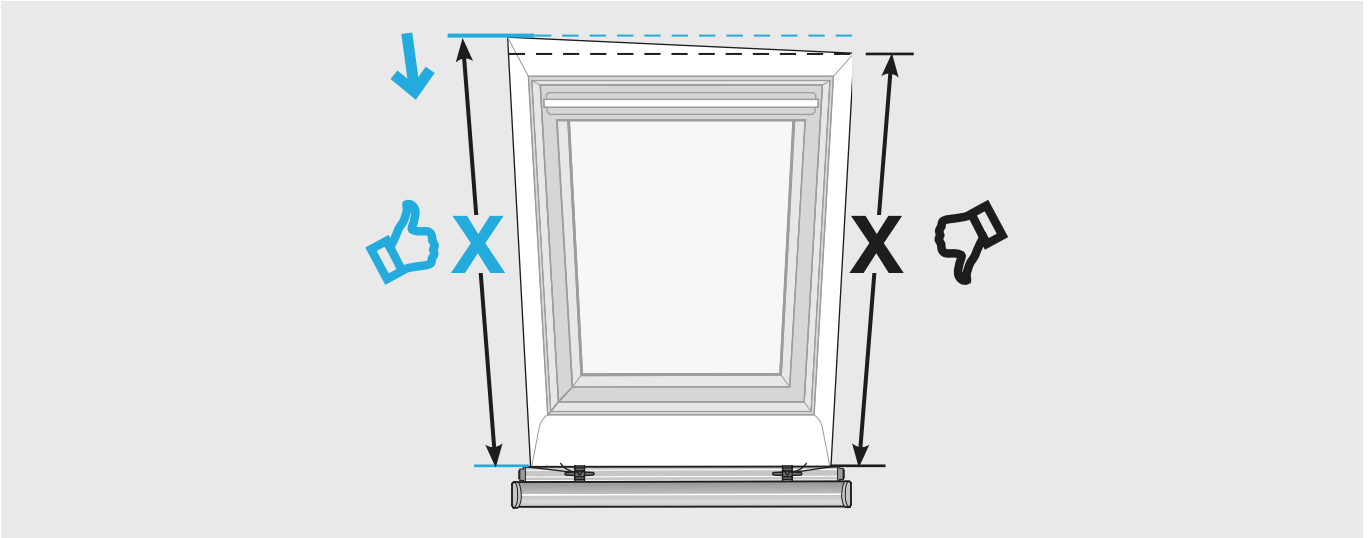
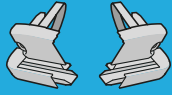
2



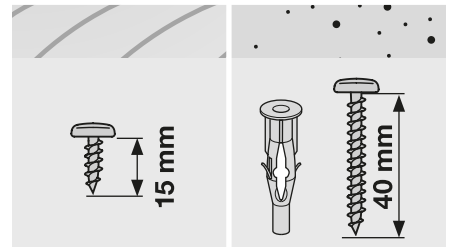
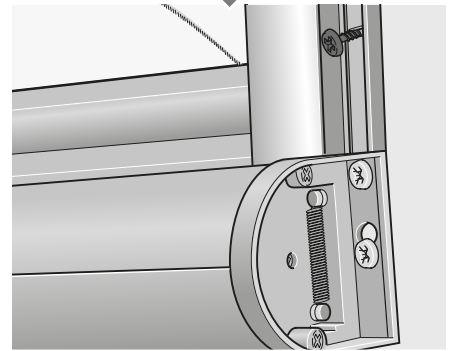
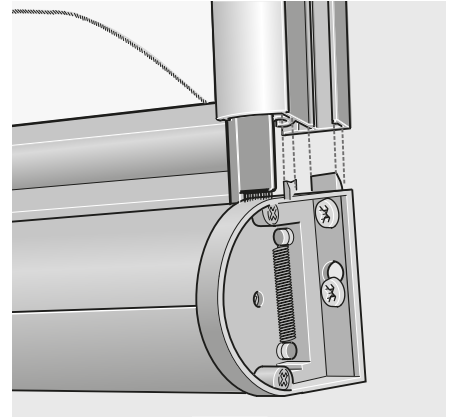
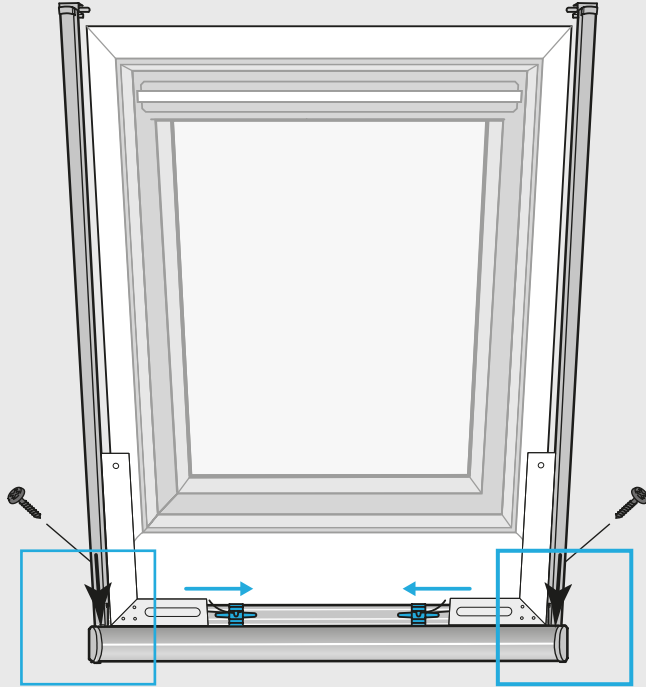
3



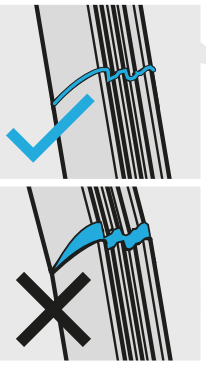
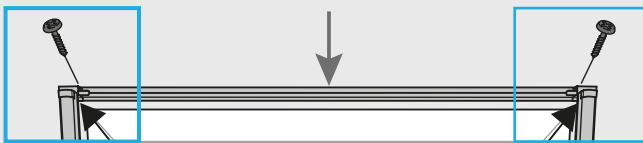




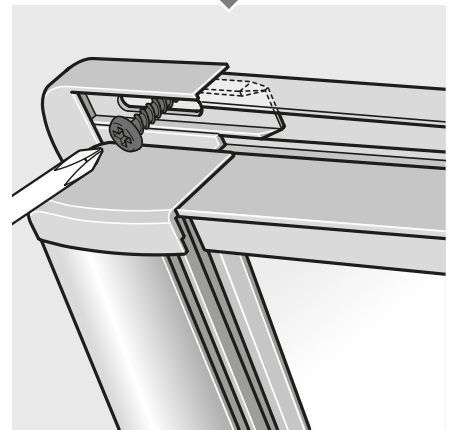
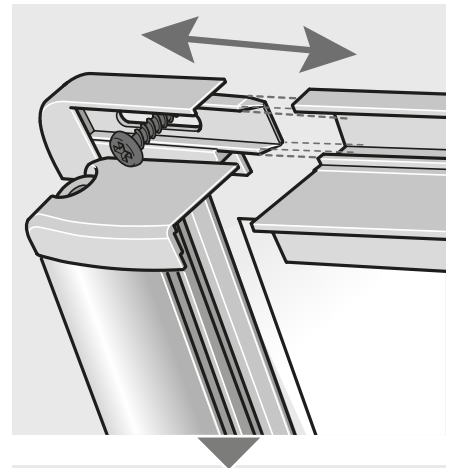
5



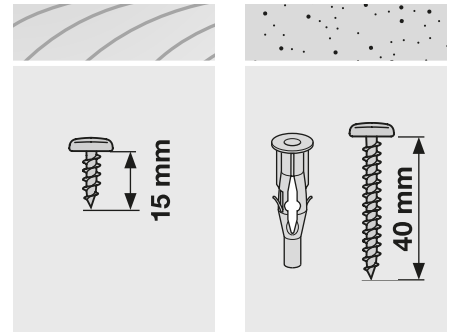
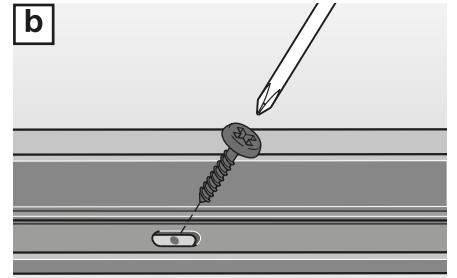
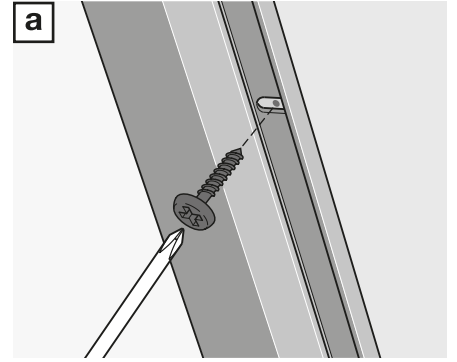
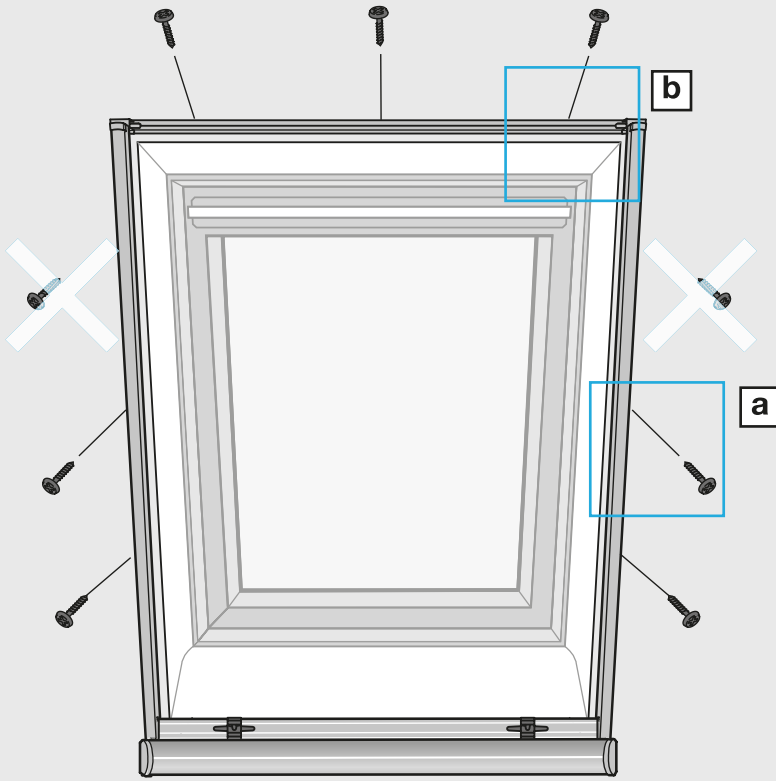
6



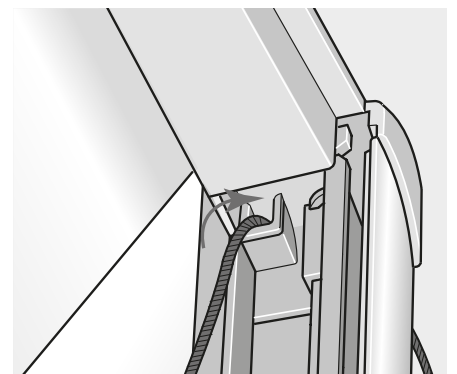
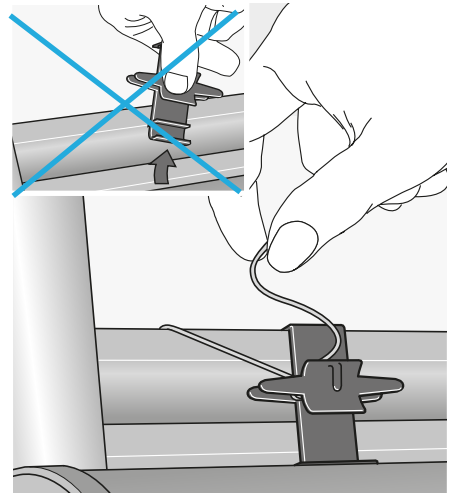
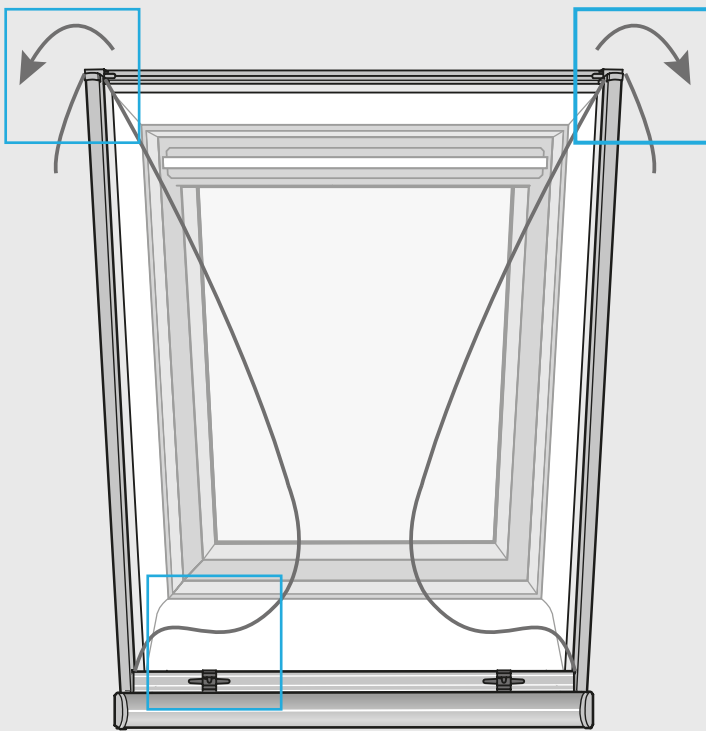
X mm X mm



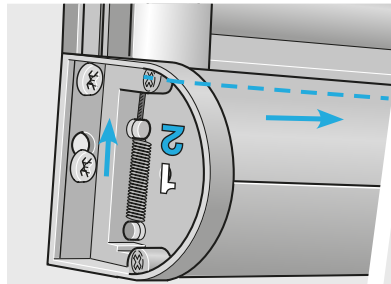
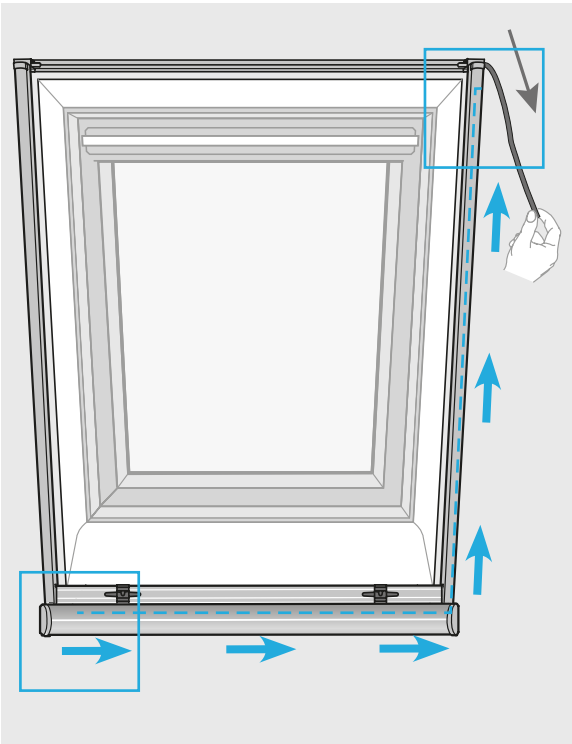
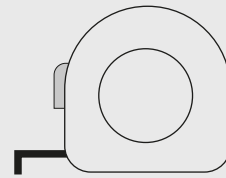
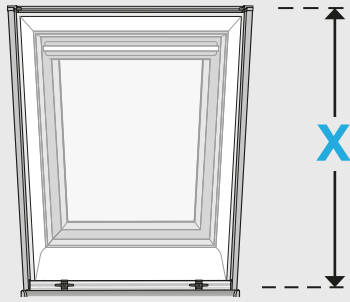
7



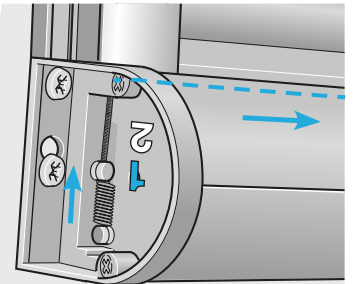
8



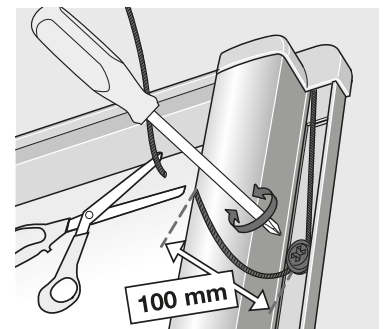
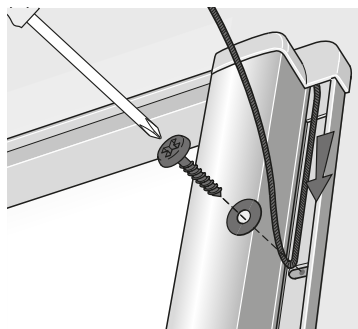
9



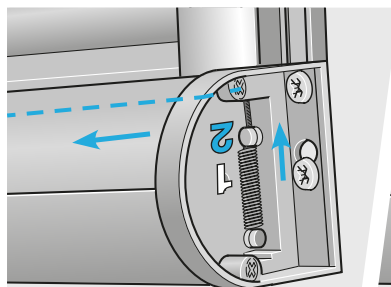
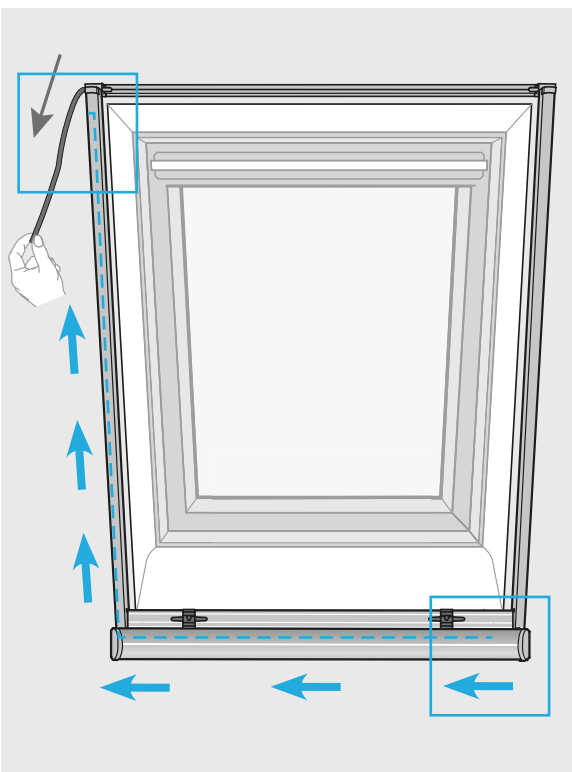
X = 1801-2400 mm



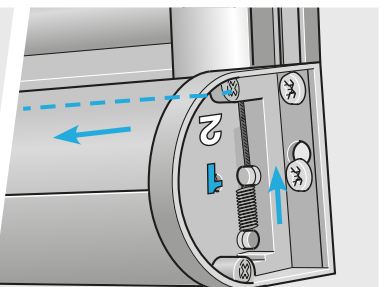
X = 0-1800 mm



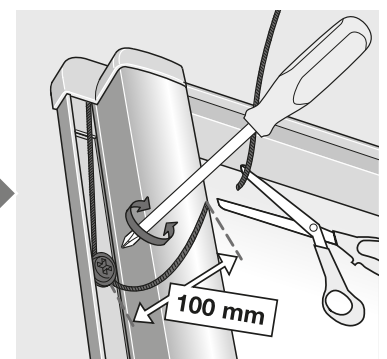
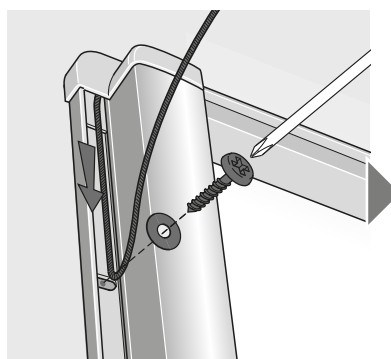
100 mm



X = 1801-2400 mm

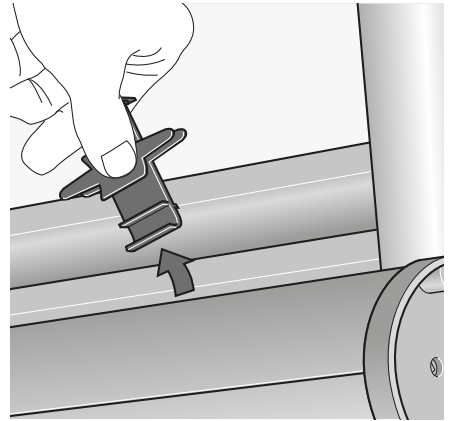
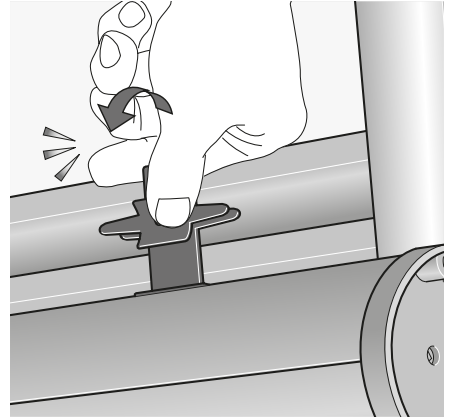
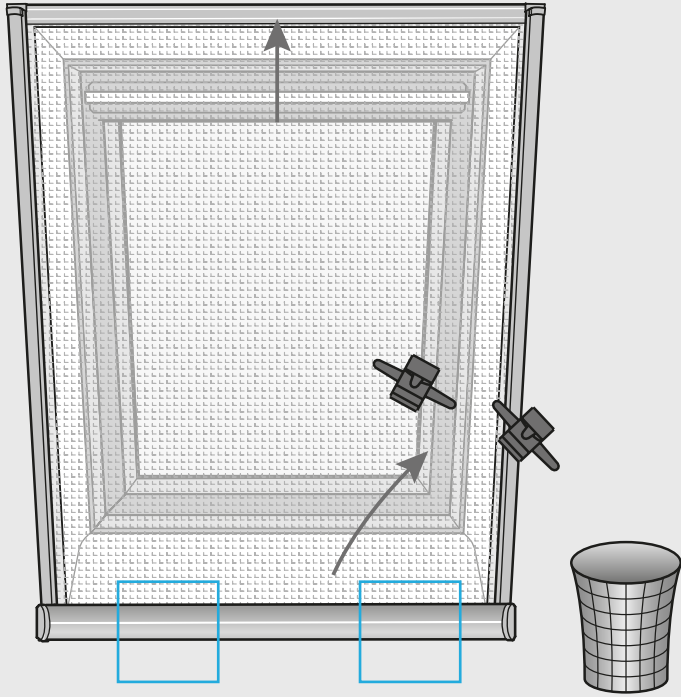


X = 0-1800 mm



100 mm

10



11

