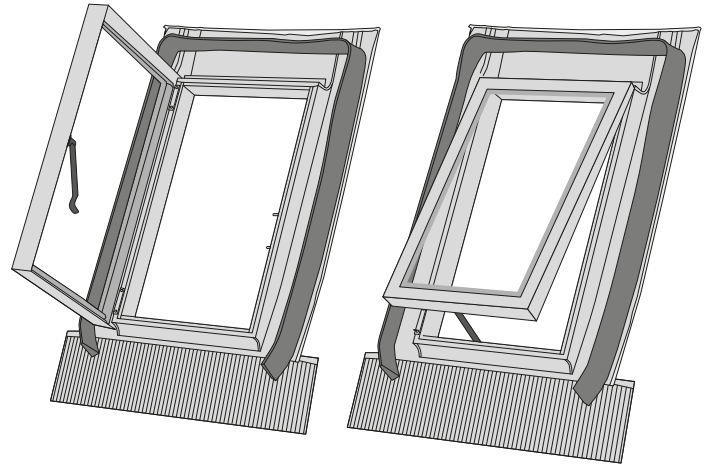


$\alpha < 90^\circ$  0-90 mm



**a** > 800mm = 15-45°

**a** < 800mm = 15-60°

